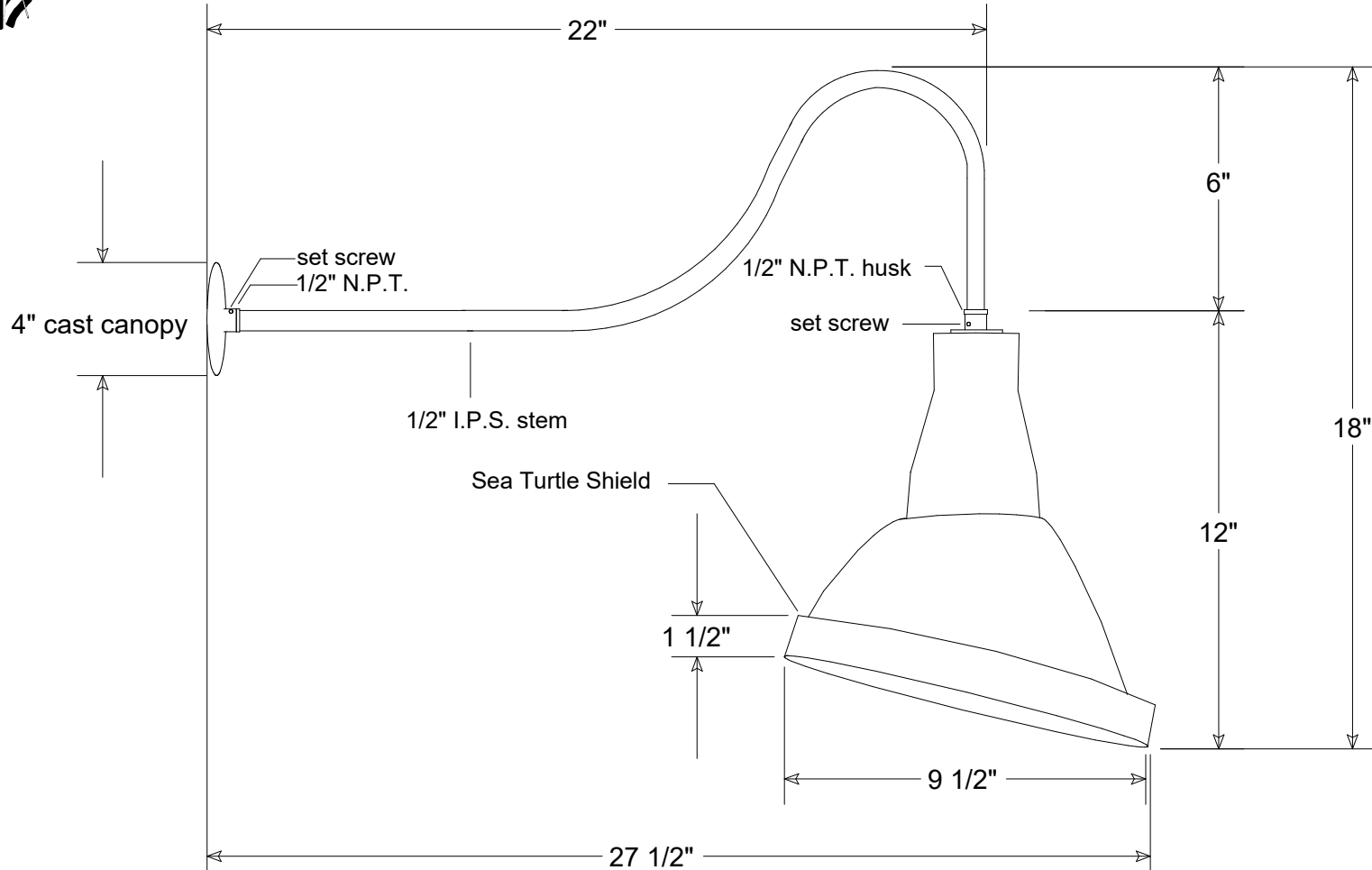




Primelite Manufacturing Corp

407 S Main St, Freeport, NY 11520
 Phone: 516-868-4411 | Fax: 516-868-4609
 sales@primelite-mfg.com | www.primelite-mfg.com

PART # #20/850	LAMP Incandescent LED	VOLTAGE 120 V	COLOR Powder Coated Paint
JOB NAME			TYPE Gooseneck



Lamp: Incandescent | LED



Name	Date	Gooseneck #20/850 LED16 18K STS		
Drawn	CB	5/19		
Checked				
ENG Appr.				
MFR Appr.				
QA				
Weight				
		Size	Drawing No.	Rev
		A	0001	A
Unless Otherwise Specified: Dimensions in Inches		Scale	CAD File	Sheet
				1 of 1

Revisions				
Zone	Rev	Description	Date	Approved