

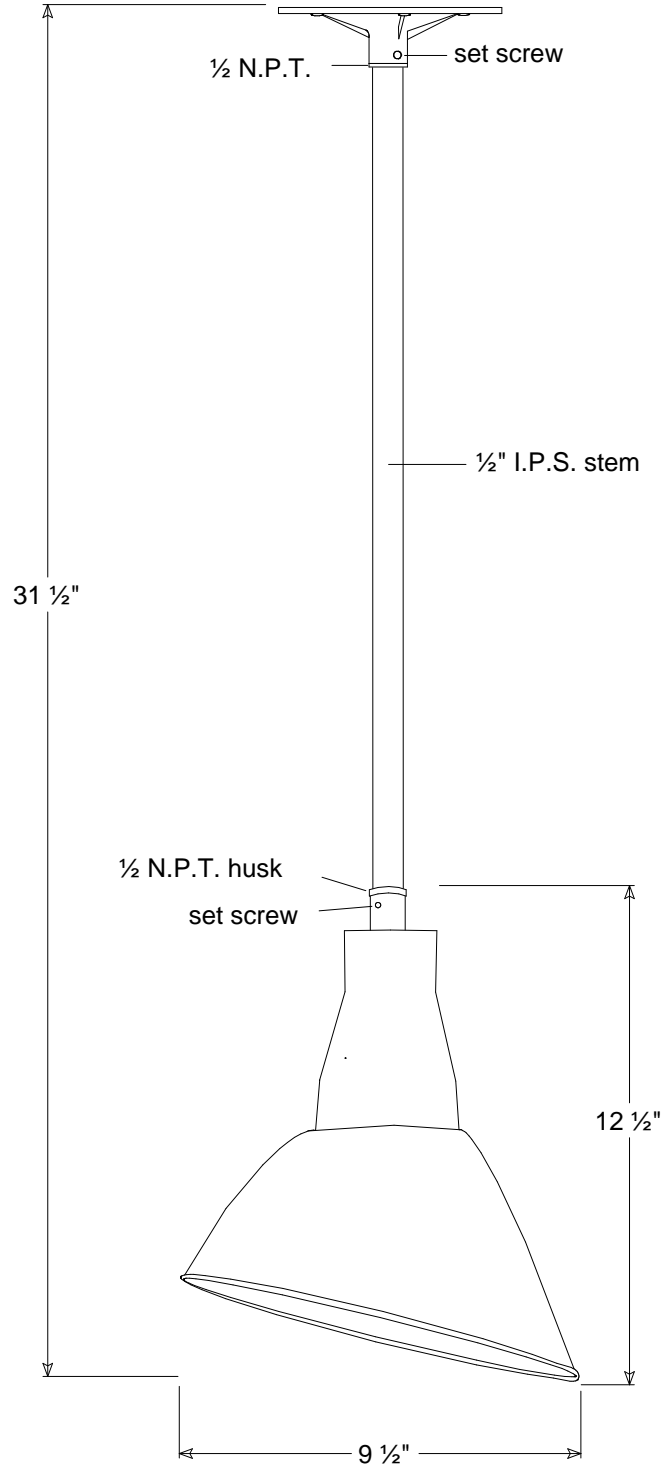


Primelite Manufacturing Corp

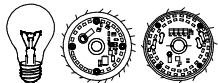
407 S Main St, Freeport, NY 11520

Phone: 516-868-4411 | Fax: 516-868-4609
 sales@primelite-mfg.com | www.primelite-mfg.com

PART # #20/18	LAMP Incandescent LED	VOLTAGE 120 V	COLOR Power Coated Paint
JOB NAME			TYPE Pendant



Lamp: Incandescent | LED



1/200A | LED12 | LED22

Construction: Aluminum

Unless Otherwise Specified:
Dimensions in Inches

Name Date

Drawn iv 04/02/18

Checked

ENG Appr.

MFR Appr.

QA

Comments

Pendant #20/18

9 1/2" Dia Shade | 18" Stem

Size
A

Drawing No.
0001

Rev
A

Scale

CAD File

Sheet

1 of 1

Revisions

Zone	Rev	Description	Date	Approved