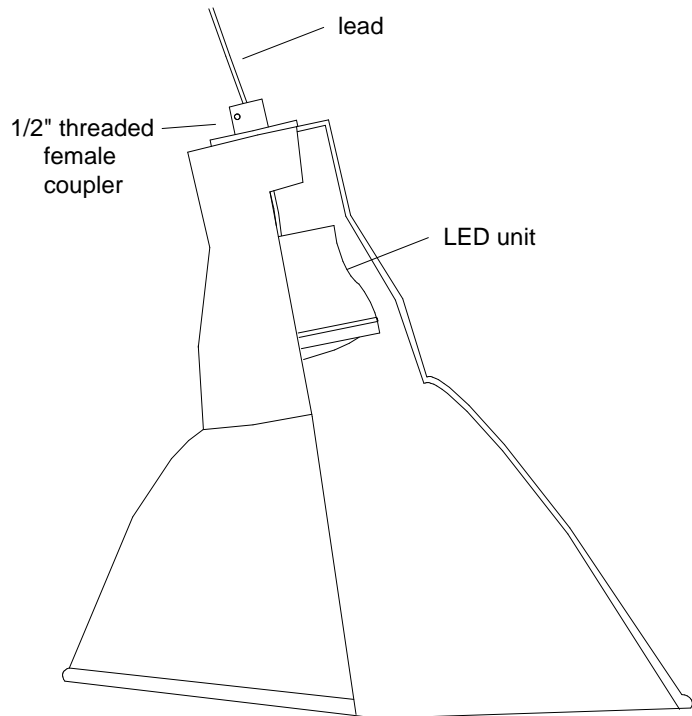
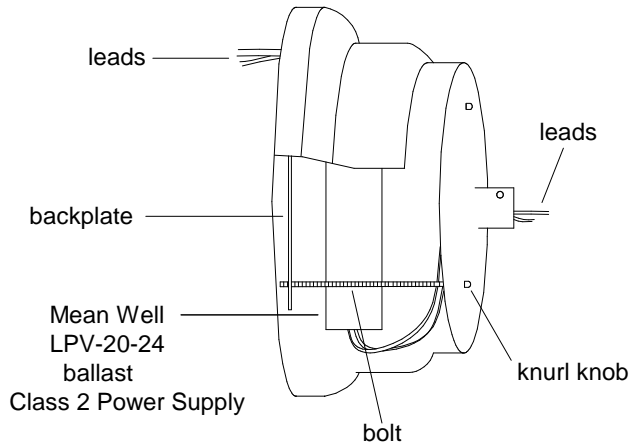
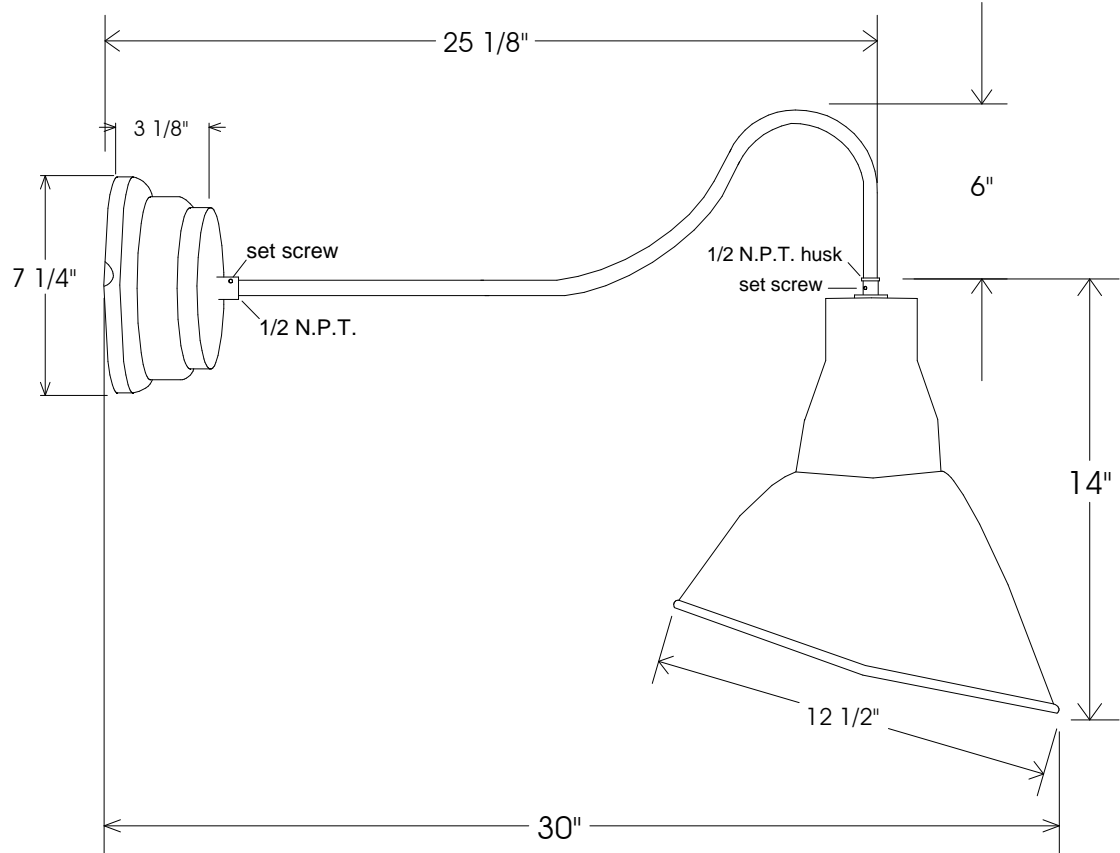


Small Ballast Pot Canopy



20/12A Shade



- 50,000 hour life
- Average savings is \$39.42 per year as compared to a 75 Watt incandescent
- Savings of \$ 518.16 for the life of the fixture
- Lumen output is equal to a 75 Watt bulb.

Unless Otherwise Specified: Dimensions in Inches Tolerances: Fractional ± Angular: Mach ± Bend ± Two Place Decimal ± Three Place Decimal ±	Drawn	Name	Date	Primelite Mfg. Corp. 20/12-857 LED 24 Watt 1000 Lumens @ 3000K 1250 Lumens @ 4000K 24 Volt Output
	T.A.R.	02/07/12		
	Checked			
	ENG Appr.			
	MFR Appr.			
QA				
Comments	CAD Generated Drawing Do Not Manually Update			
Construction: All Aluminum				Size
Pipe Size: 1/2"				Drawing No.
				Rev
				A
	Scale	CAD File	Sheet	1 of 1