



# Primelite Manufacturing Corp

407 S Main St, Freeport, NY 11520

Phone: 516-868-4411 | Fax: 516-868-4609  
 sales@primelite-mfg.com | www.primelite-mfg.com

PART #

#20/12-851-SCA

LAMP

Incandescent

VOLTAGE

120 V

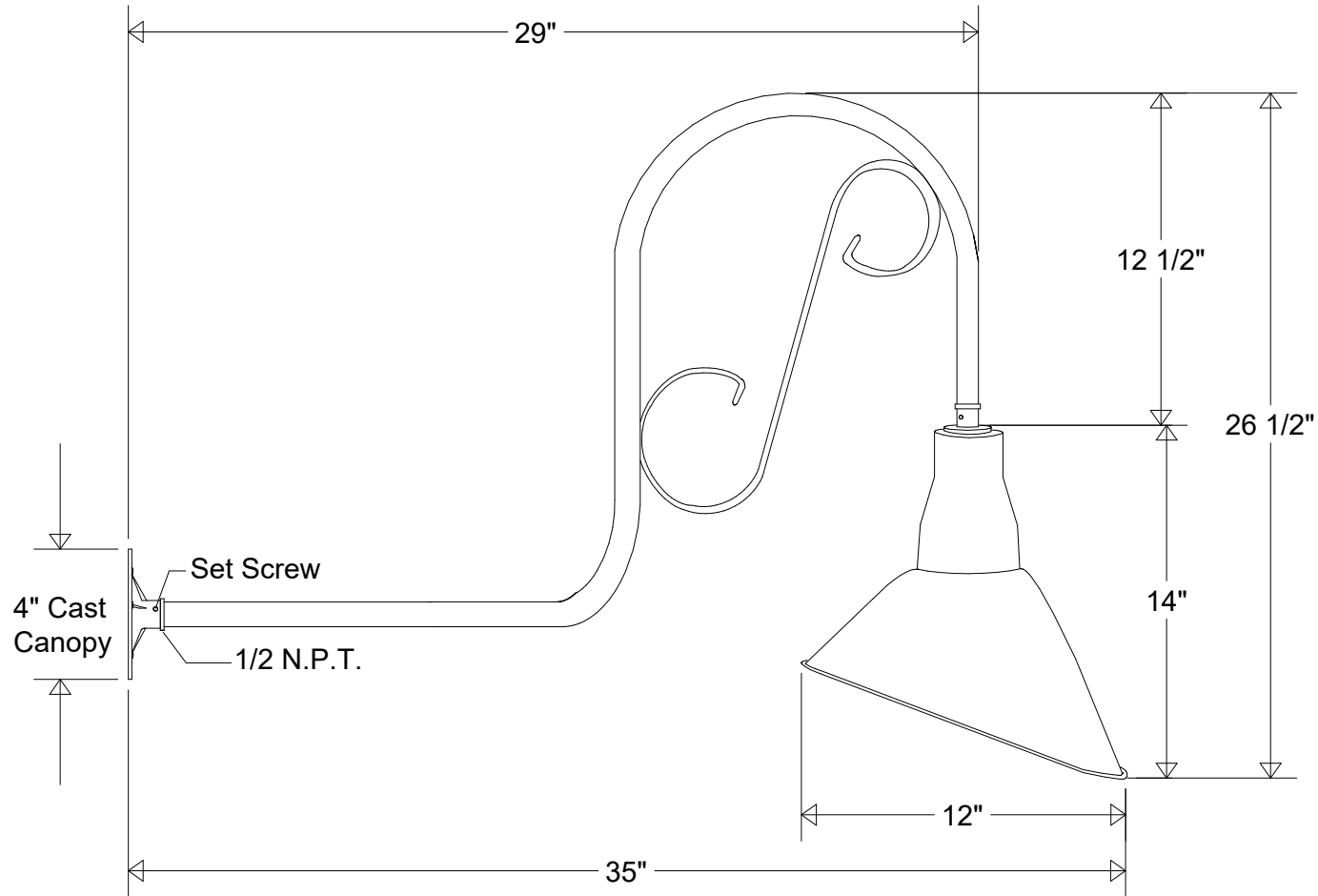
COLOR

Powder Coated Paint

JOB NAME

TYPE

Gooseneck



Lamp: Incandescent  
 Max Wattage: 1/200A



Name Date

Drawn	CB	6/2020
Checked		
ENG Appr.		
MFR Appr.		
QA		

## Gooseneck #20/12-851-SCA

12" Dia | 35" Ext | 26 1/2" H  
 Decorative Scroll

Size	Drawing No.	Rev
<b>A</b>	<b>0001</b>	<b>A</b>

Construction: Aluminum

Unless Otherwise Specified:  
 Dimensions in Inches

Weight	Scale	CAD File	Sheet
			<b>1 of 1</b>

Revisions				
Zone	Rev	Description	Date	Approved