

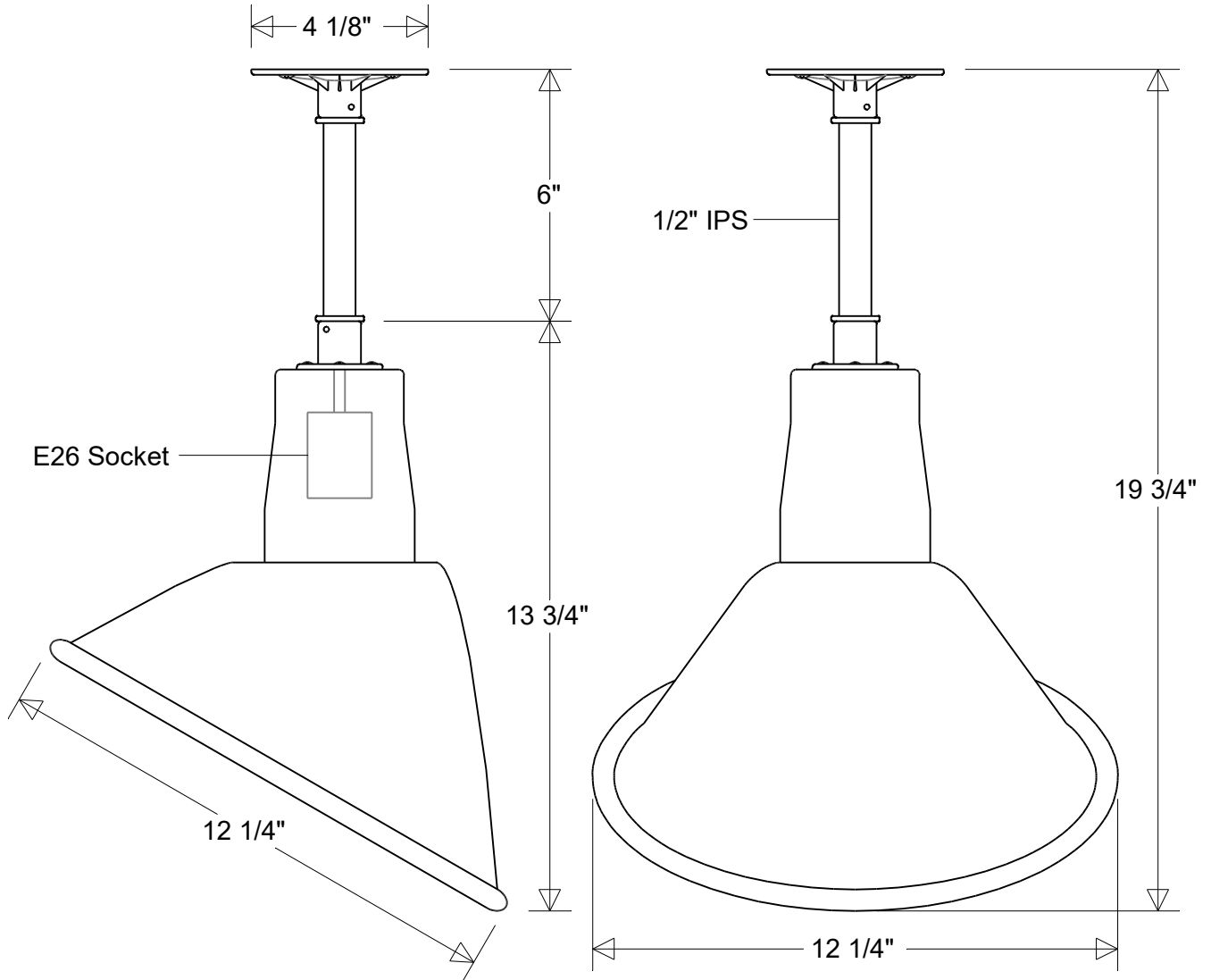


# Primelite Manufacturing Corp.

407 S Main St, Freeport, NY 11520  
 Phone: (516) 868-4411 | Fax: (516) 868-4609  
 sales@primelite-mfg.com | www.primelite-mfg.com

**PROUDLY MADE IN THE USA SINCE 1962!**  
**"SPECIALTIES ARE OUR SPECIALTY!"**

Job Info



**#20/12-18-6**

12 1/4" Dia | 19 3/4" H  
 6" X 1/2" IPS Stem

Lamp: E26 Socket

Max Wattage: 200 W

Number of Sockets: 1

120 V

Finish:

29 Oven Baked

Powder Coated Paints

Material:  
 Aluminum

Drawn:

CB

05/2026

Scale:

1/4

Note:

All dimensions are nominal.  
 Actual dimensions may vary.

Approvals