

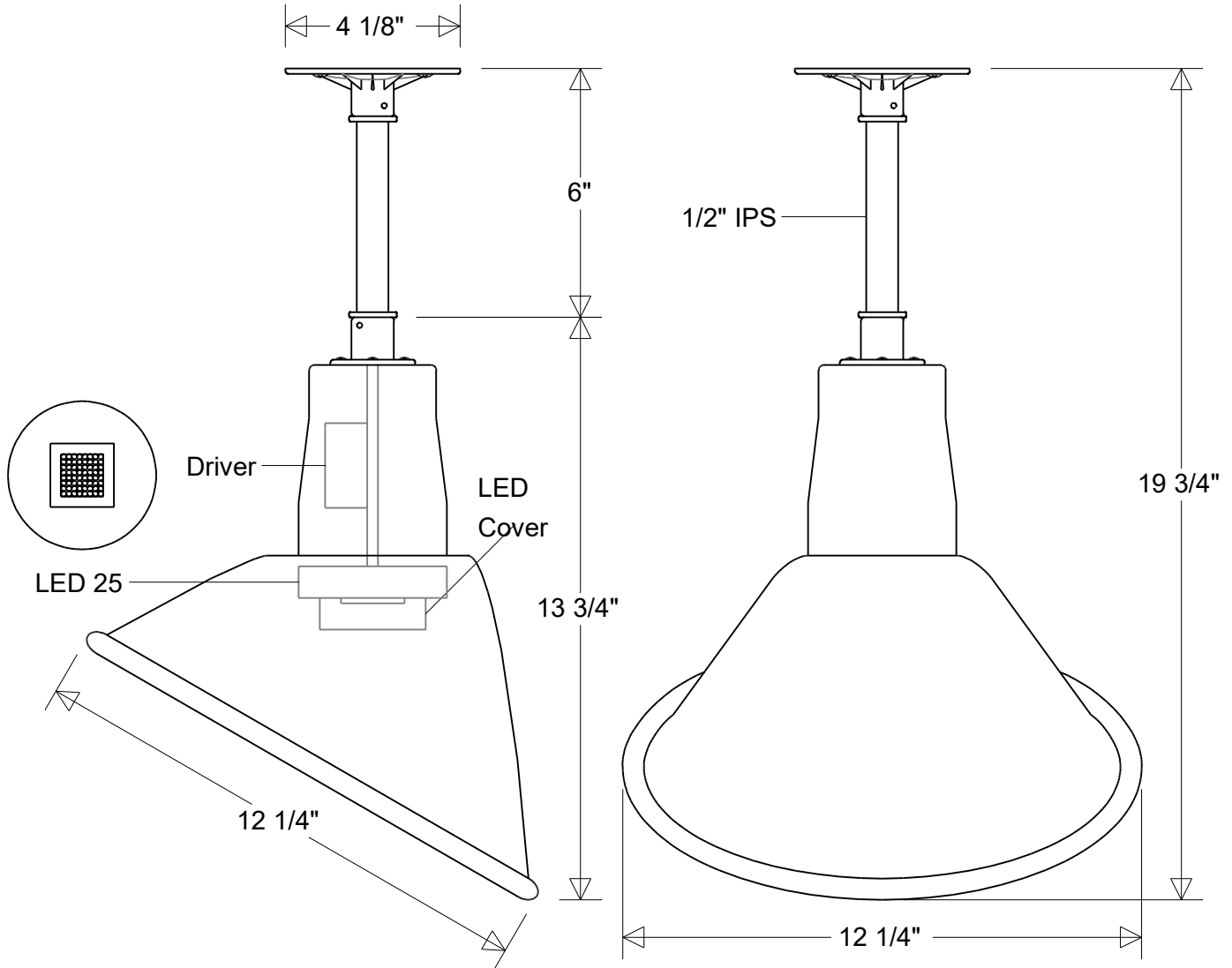


Primelite Manufacturing Corp.

407 S Main St, Freeport, NY 11520
 Phone: (516) 868-4411 | Fax: (516) 868-4609
 sales@primelite-mfg.com | www.primelite-mfg.com

PROUDLY MADE IN THE USA SINCE 1962!
"SPECIALTIES ARE OUR SPECIALTY!"

Job Info



<h2>#20/12-18-6 LED 25 Dimm</h2>	Lamp: 25 W LED CCT: 3K or 4K Others 50W MH Equivalent	Finish: 29 Oven Baked Powder Coated Paints	Drawn: CB 05/2026	Scale: 1/4	Approvals
	80 CRI 120-277 V 0-10 V Dimming	Material: Aluminum	Note: All dimensions are nominal. Actual dimensions may vary.		
12 1/4" Dia 19 3/4" H 6" X 1/2" IPS Stem					