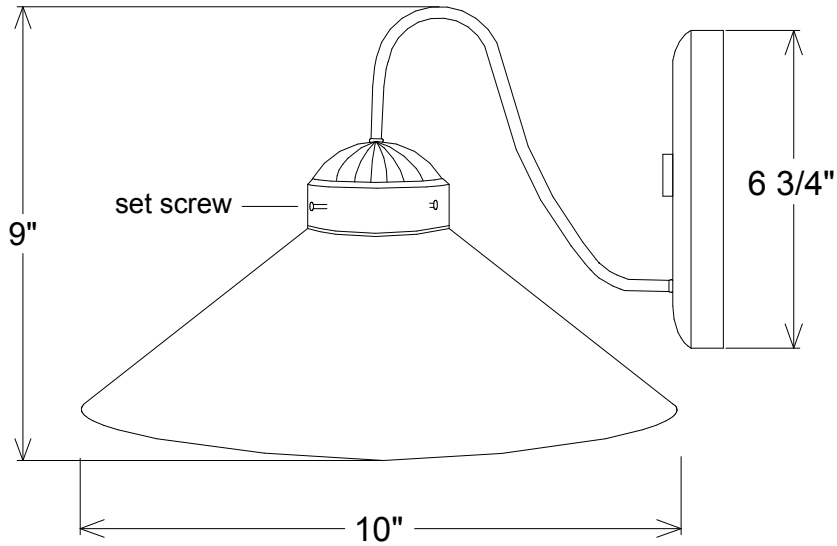
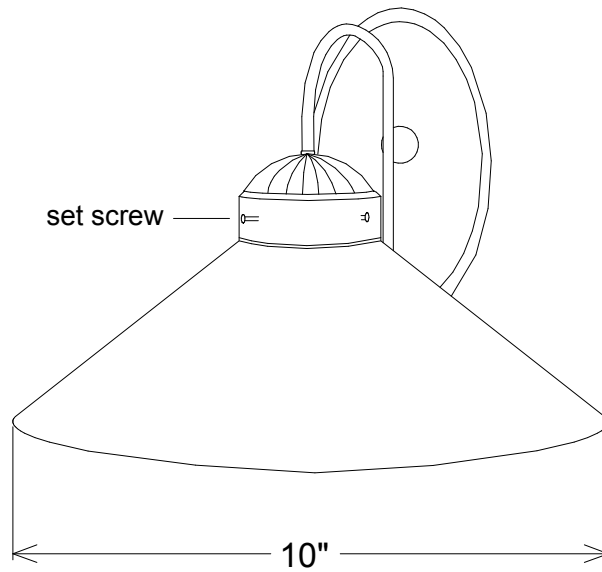


### Side View



### Front View



<b>Unless Otherwise Specified:</b> Dimensions in Inches Tolerances: Fractional ± Angular: Mach ± Bend ± Two Place Decimal ± Three Place Decimal ±		Name	Date	<b>Primelite Mfg. Corp.</b>		
	Drawn	T.A.R.	10/14/10			
	Checked			Green Cased Glass		
	ENG Appr.					
	MFR Appr.			<b>A</b>	<b>0001</b>	<b>A</b>
QA			Scale	CAD File	Sheet	
Construction: Steel, Glass	Comments			<b>1:3</b>		<b>1 of 1</b>
	CAD Generated Drawing Do Not Manually Update					
Lamp: 1-100A						