

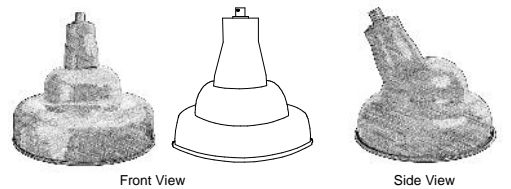
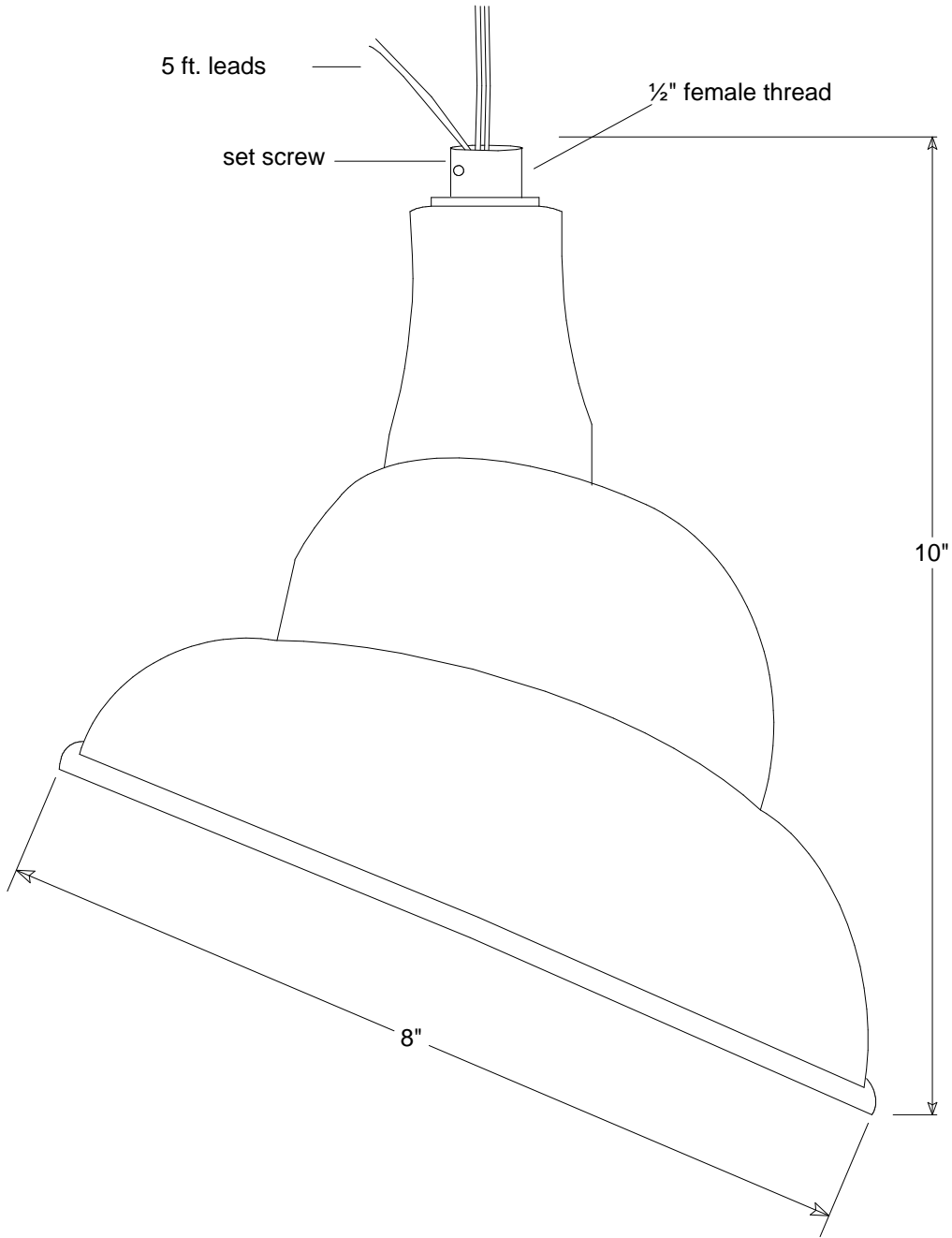


# Primelite Manufacturing Corp

407 S Main St, Freeport, NY 11520

Phone: 516-868-4411 | Fax: 516-868-4609  
 sales@primelite-mfg.com | www.primelite-mfg.com

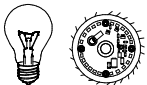
<b>PART #</b> #19/8A	<b>LAMP</b> Incandescent   LED	<b>VOLTAGE</b> 120 V	<b>COLOR</b> Powder Coated Paint
<b>JOB NAME</b>			<b>TYPE</b> Gooseneck Shade



Front View

Side View

Lamp: Incandescent | LED



1/100A | LED12

<b>Name</b>	<b>Date</b>	<b>Gooseneck Shade #19/8A</b>		
Drawn	iv	03/13/18		
Checked				
ENG Appr.				
MFR Appr.			Size	Drawing No.
QA			<b>A</b>	<b>0001</b>
Comments			Rev	<b>A</b>
		Scale	CAD File	Sheet
				<b>1 of 1</b>

Revisions				
Zone	Rev	Description	Date	Approved

Construction: Aluminum  
 Unless Otherwise Specified:  
 Dimensions in Inches