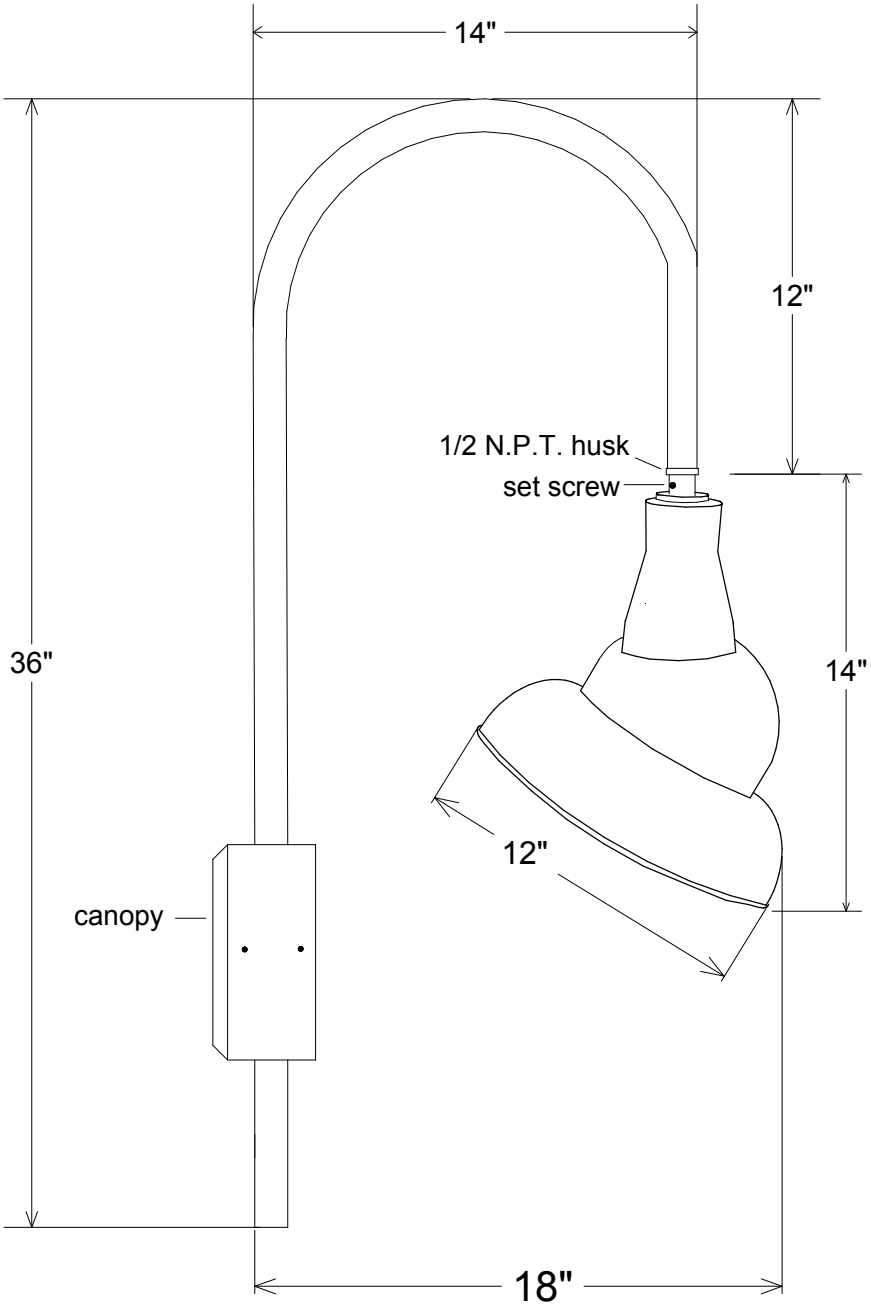


Revisions				
Zone	Rev	Description	Date	Approved



Unless Otherwise Specified: Dimensions in Inches Tolerances: Fractional ± Angular: Mach ± Bend ± Two Place Decimal ± Three Place Decimal ±	Name		Date	Primelite Mfg. Corp. 19/862		
	Drawn	T.A.R.	11/04/09			
	Checked			Size A Drawing No. 0001 Rev A		
	ENG Appr.					
	MFR Appr.					
QA			Scale 1:6 CAD File Sheet 1 of 1			
Construction: All Aluminum Pipe Size: 1/2" Lamp: 1-200A	Comments CAD Generated Drawing Do Not Manually Update					