

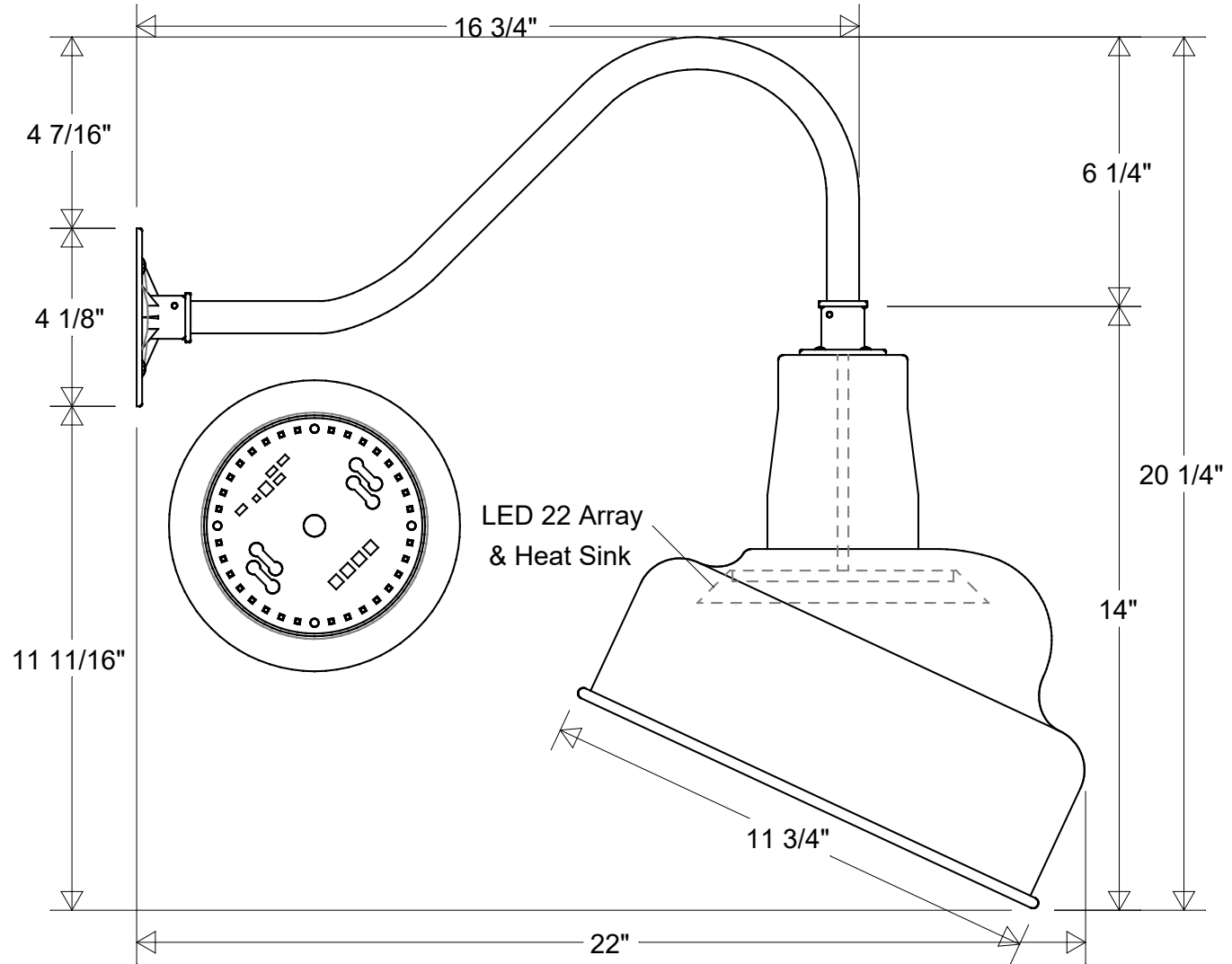


Primelite Manufacturing Corp

407 S Main St, Freeport, NY 11520

Phone: 516-868-4411 | Fax: 516-868-4609
 sales@primelite-mfg.com | www.primelite-mfg.com

PART # #19/859 LED 22	LAMP Built-In LED	VOLTAGE 120 V	COLOR Powder Coated Paint
JOB NAME			TYPE Gooseneck



Lamp: LED 22 Array
 100 W Inc Equivalent
 3K = 1950 Lumens
 4K = 2130 Lumens



Initials	Date	#19/859 LED 22
Drawn CB	03/2023	
Checked		
ENG Appr.		
MFR Appr.		11 3/4" Dia 22" Ext 20 1/4" H
QA		6" Drop 11 11/16" Below Box
Weight:	Scale	Size A
		Drawing No. 0001
		Rev A
Unless Otherwise Specified: Dimensions in Inches		Scale
		CAD File
		Sheet 1 of 1

Revisions				
Zone	Rev	Description	Date	Appr