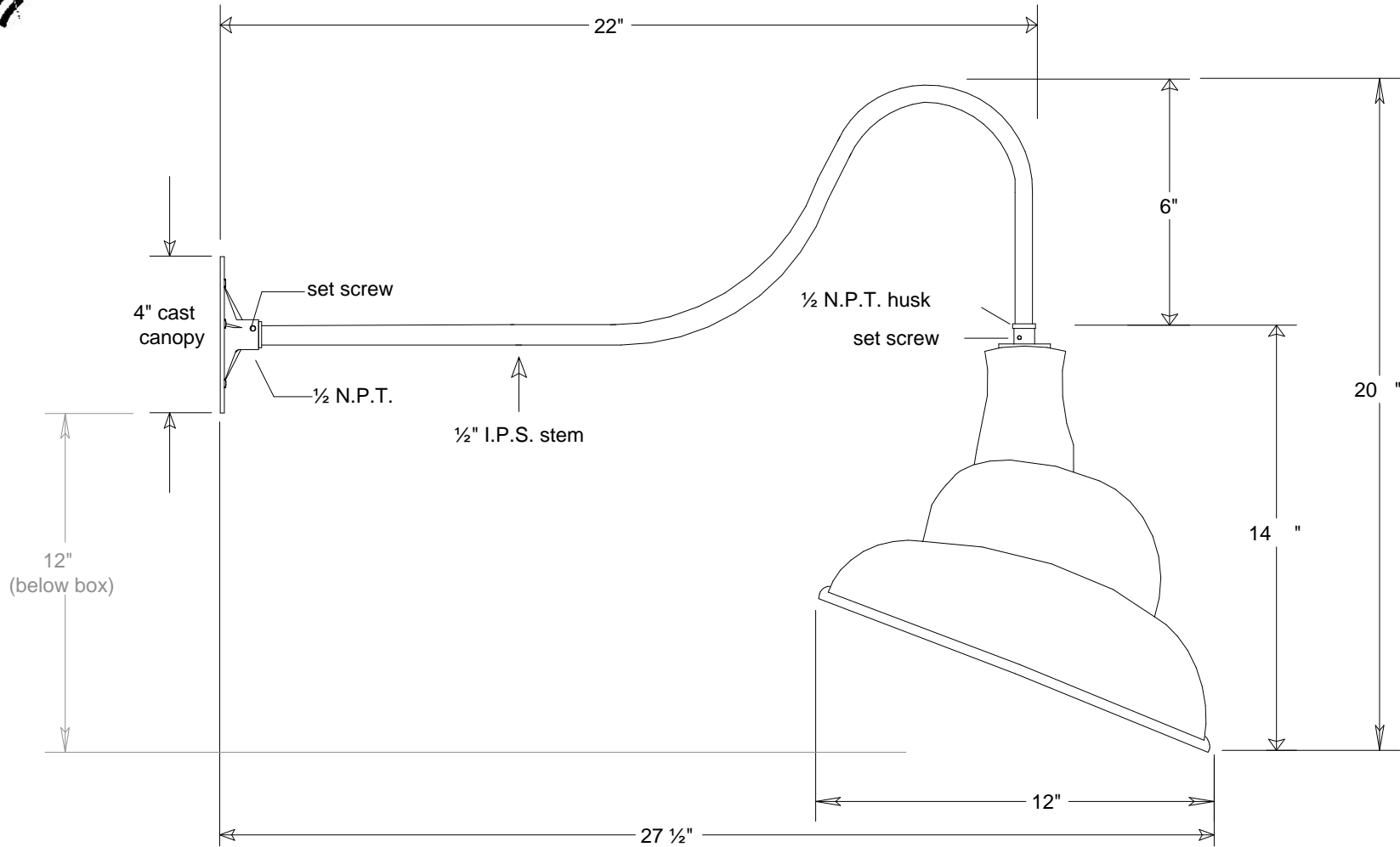




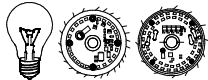
Primelite Manufacturing Corp

407 S Main St, Freeport, NY 11520
 Phone: 516-868-4411 | Fax: 516-868-4609
 sales@primelite-mfg.com | www.primelite-mfg.com

PART # #19/850	LAMP Incandescent LED	VOLTAGE 120 V	COLOR Powder Coated Paint
JOB NAME			TYPE Gooseneck



Lamp: Incandescent | LED



1/1200A | LED12 | LED22

Construction: Aluminum

Unless Otherwise Specified:
Dimensions in Inches

	Name	Date
Drawn	lv	09/18/18
Checked		
ENG Appr.		
MFR Appr.		
QA		

Gooseneck #19/850

12" Shade | 22" Arm | Below Box 12"

Size	Drawing No.	Rev
A	0001	A

Scale	CAD File	Sheet
		1 of 1

Revisions				
Zone	Rev	Description	Date	Approved

