

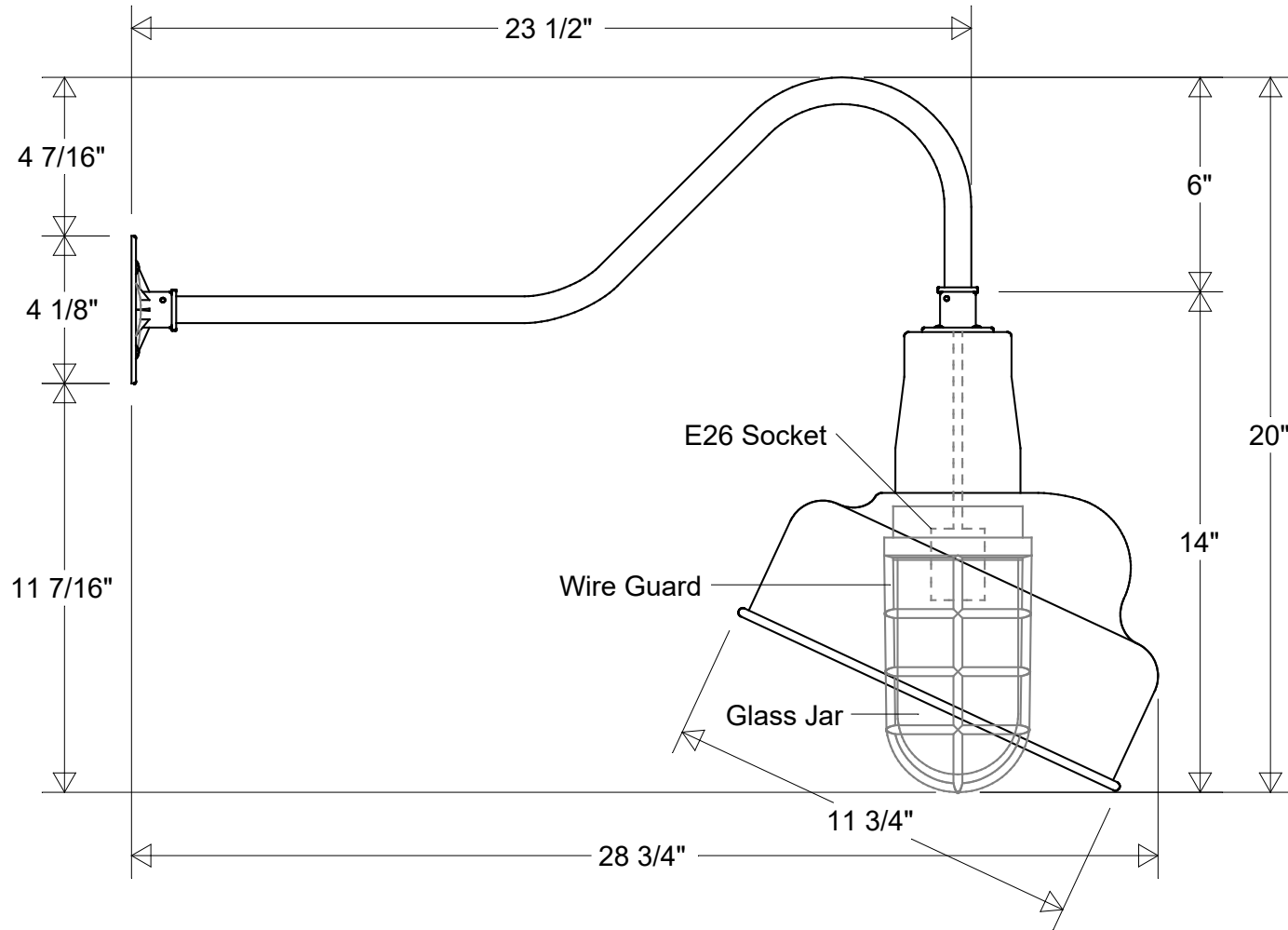



Primelite Manufacturing Corp

407 S Main St, Freeport, NY 11520

Phone: 516-868-4411 | Fax: 516-868-4609
 sales@primelite-mfg.com | www.primelite-mfg.com

PART # #19/850 WGGH1	LAMP E26 Socket	VOLTAGE 120 V	COLOR Powder Coated Paint
JOB NAME			TYPE Gooseneck



Lamp: E26 Socket Max Wattage: 100 W 	Initials	Date	<h2>#19/850 WGGH1</h2>							
	Drawn	CB						04/2023		
	Checked			11 3/4" Dia 28 3/4" Ext 20" H Cast Wire Guard Clear Glass Jar		Revisions				
Construction: Aluminum Glass	ENG Appr.		Size	Drawing No.	Rev	Zone	Rev	Description	Date	Appr
Unless Otherwise Specified: Dimensions in Inches	MFR Appr.		A	0001	A					
	QA									
Weight:			Scale	CAD File	Sheet	1 of 1				