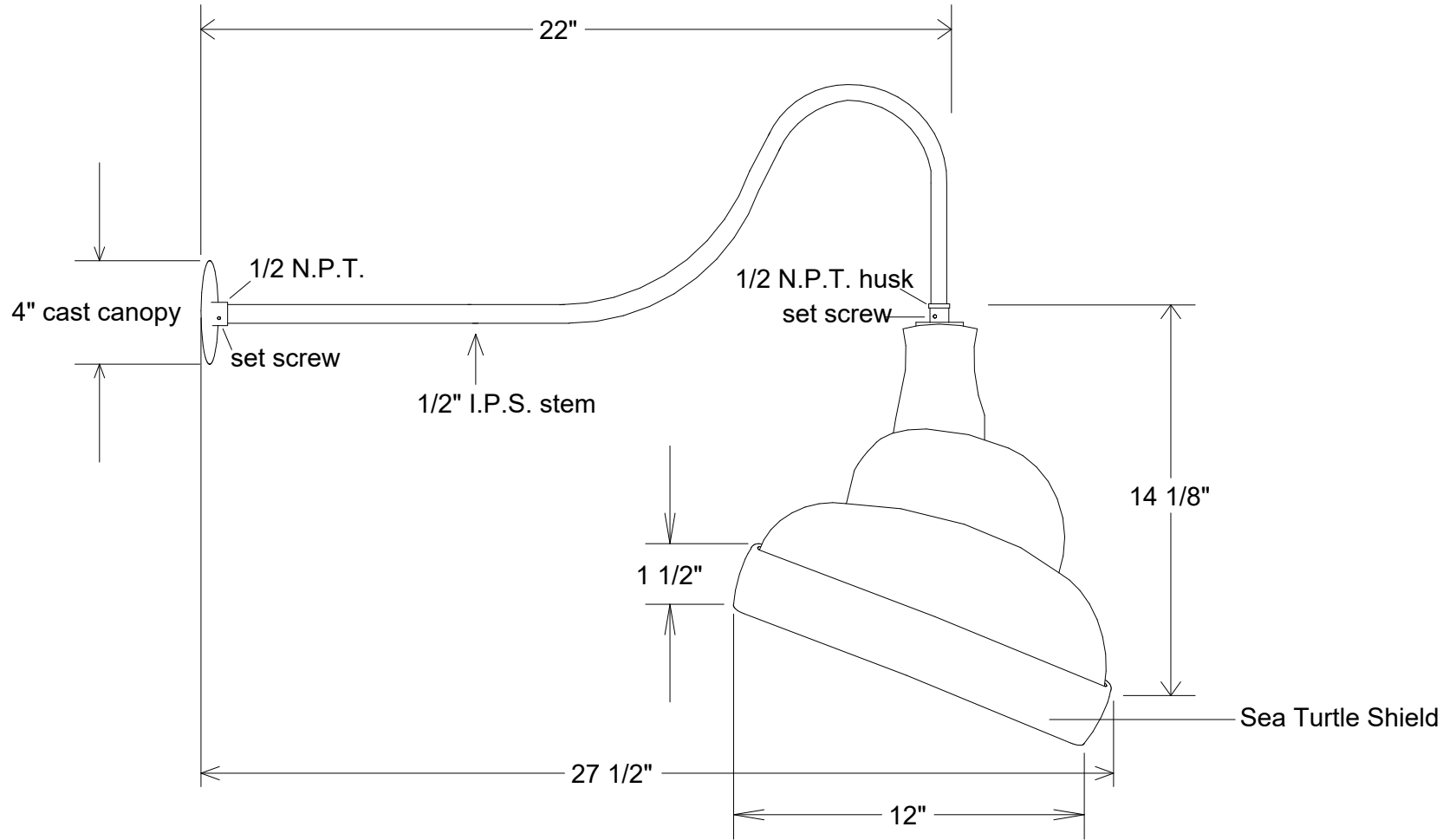




# Primelite Manufacturing Corp

407 S Main St, Freeport, NY 11520  
 Phone: 516-868-4411 | Fax: 516-868-4609  
 sales@primelite-mfg.com | www.primelite-mfg.com

<b>PART #</b> #19/850	<b>LAMP</b>	<b>VOLTAGE</b> 120 V	<b>COLOR</b> Powder Coated Paint
<b>JOB NAME</b>			<b>TYPE</b> Gooseneck



Lamp: Incandescent | LED



LED16 18K

Construction: Aluminum

Unless Otherwise Specified:  
Dimensions in Inches

Name	Date	Gooseneck #19/850 LED16 18K STS		
Drawn	CB	5/19		
Checked			12" Dia Shade   22" Arm   Sea Turtle Friendly	
ENG Appr.			Size	Drawing No.
MFR Appr.			<b>A</b>	<b>0001</b>
QA			Rev	<b>A</b>
Comments		Scale	CAD File	Sheet
				<b>1 of 1</b>

Revisions				
Zone	Rev	Description	Date	Approved