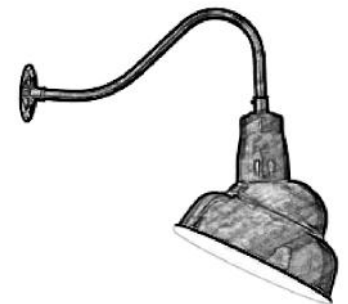
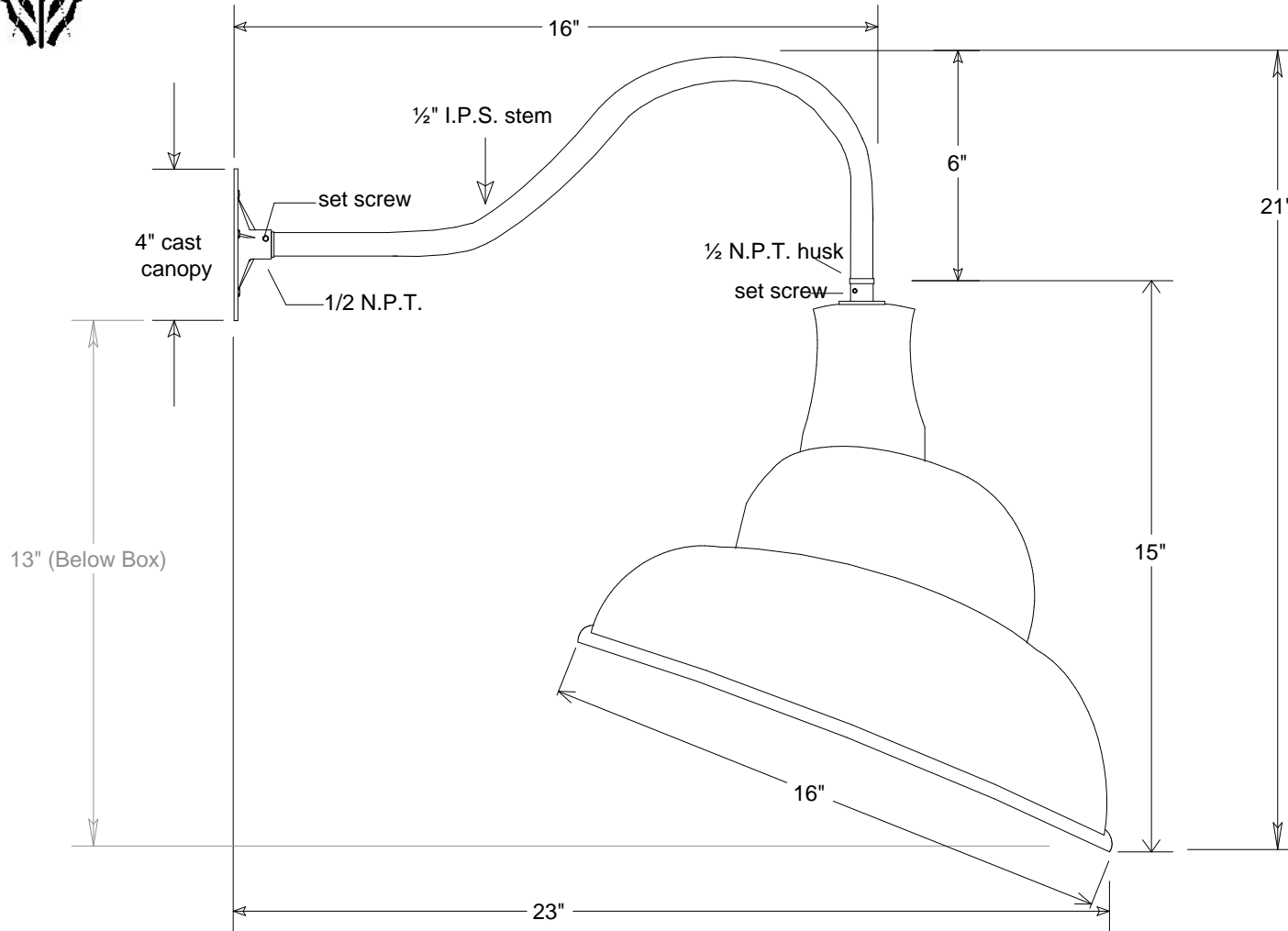




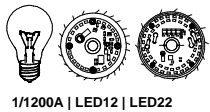
# Primelite Manufacturing Corp

407 S Main St, Freeport, NY 11520  
 Phone: 516-868-4411 | Fax: 516-868-4609  
 sales@primelite-mfg.com | www.primelite-mfg.com

<b>PART #</b> #19/16-859	<b>LAMP</b> Incandescent   LED	<b>VOLTAGE</b> 120 V	<b>COLOR</b> Powder Coated Paint
<b>JOB NAME</b>			<b>TYPE</b> Gooseneck



Lamp: Incandescent | LED



1/1200A | LED12 | LED22

Name	Date
Drawn lv	09/18/18
Checked	
ENG Appr.	
MFR Appr.	
QA	

## Gooseneck #19/16-859

16" Shade | 16" Arm | Below Box 13"

Size <b>A</b>	Drawing No. <b>0001</b>	Rev <b>A</b>
------------------	----------------------------	-----------------

Scale	CAD File	Sheet <b>1 of 1</b>
-------	----------	------------------------

Revisions				
Zone	Rev	Description	Date	Approved