

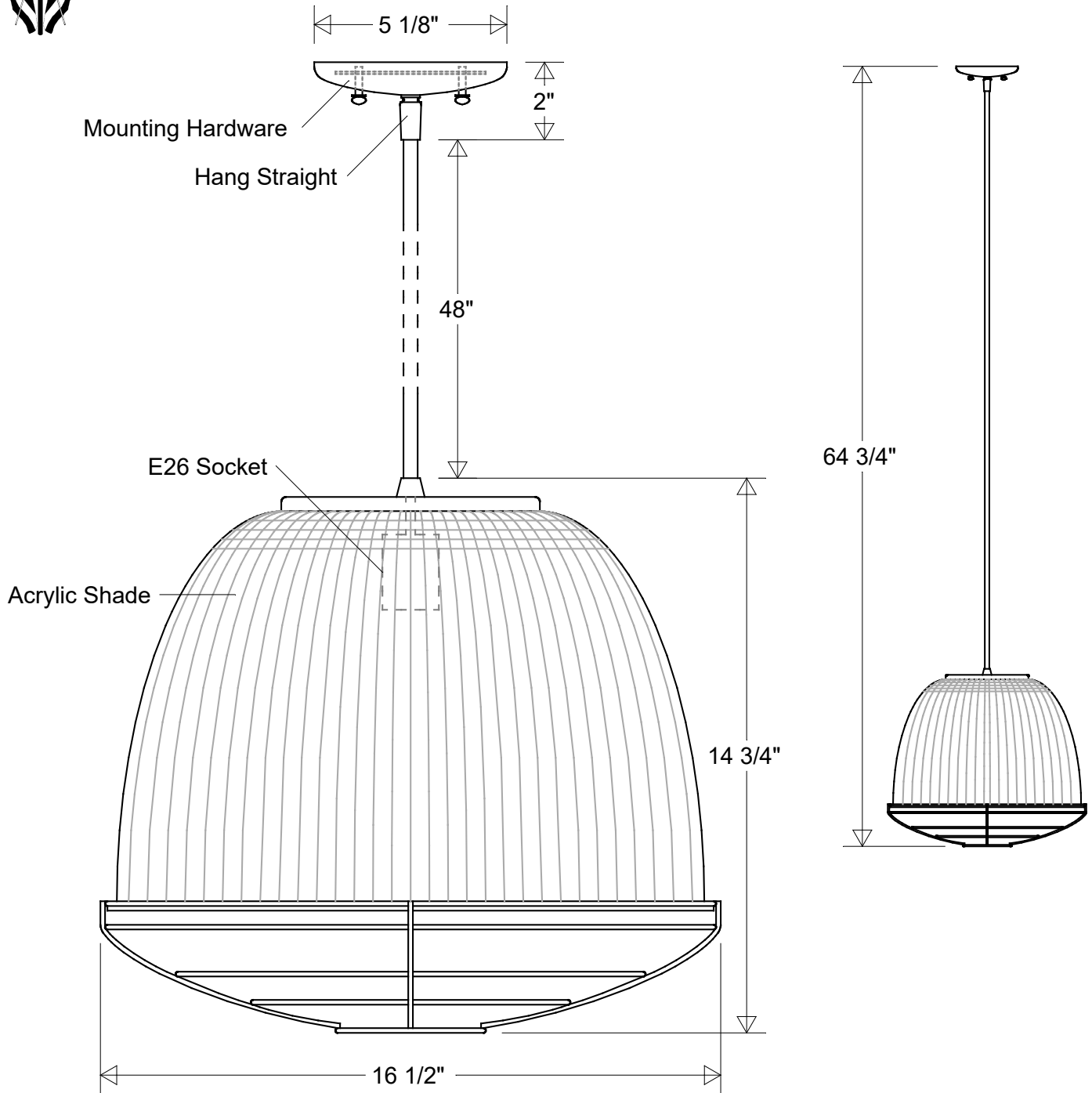



Primelite Manufacturing Corp

407 S Main St, Freeport, NY 11520

Phone: 516-868-4411 | Fax: 516-868-4609
 sales@primelite-mfg.com | www.primelite-mfg.com

| | | | |
|----------------------------|--------------------|------------------|------------------------------|
| PART # #181/1164 S WG16 | LAMP E26 Socket | VOLTAGE 120 V | COLOR Powder Coated Paint |
| JOB NAME | | | TYPE Pendant |



| Lamp: E26 Socket Max Wattage: 150 W  | Initials | Date | #181/1164 S 48 WG16 | | | Revisions <table border="1"> <thead> <tr> <th>Zone</th> <th>Rev</th> <th>Description</th> <th>Date</th> <th>Appr</th> </tr> </thead> <tbody> <tr><td> </td><td> </td><td> </td><td> </td><td> </td></tr> <tr><td> </td><td> </td><td> </td><td> </td><td> </td></tr> <tr><td> </td><td> </td><td> </td><td> </td><td> </td></tr> <tr><td> </td><td> </td><td> </td><td> </td><td> </td></tr> </tbody> </table> | | | | | Zone | Rev | Description | Date | Appr | | | | | | | | | | | | | | | | | | | | |
|-------------------------------------------------------------------------------------------------------------------------------|-----------|---------|-----------------------------------------------|-------------|----------|--------------------------------------------------------------------------------------------------------------------------------------------------------------------------------------------------------------------------------------------------------------------------------------------------------------------------------------------------------------------------------------------------------------------------|--|--|--|--|-------------|------|-------------|------|------|--|--|--|--|--|--|--|--|--|--|--|--|--|--|--|--|--|--|--|--|
| | Zone | Rev | | | | | | | | | Description | Date | Appr | | | | | | | | | | | | | | | | | | | | | | |
| | | | | | | | | | | | | | | | | | | | | | | | | | | | | | | | | | | | |
| | | | | | | | | | | | | | | | | | | | | | | | | | | | | | | | | | | | |
| | | | | | | | | | | | | | | | | | | | | | | | | | | | | | | | | | | | |
| | | | | | | | | | | | | | | | | | | | | | | | | | | | | | | | | | | | |
| Drawn | CB | 01/2023 | 16 1/2" Dia 64 3/4" H 48" x 1/8" IPS Stem | | | | | | | | | | | | | | | | | | | | | | | | | | | | | | | | |
| Checked | | | Wire Guard Prismatic Acrylic Dome Shade | | | | | | | | | | | | | | | | | | | | | | | | | | | | | | | | |
| ENG Appr. | | | Size | Drawing No. | Rev | | | | | | | | | | | | | | | | | | | | | | | | | | | | | | |
| Construction: Aluminum Acrylic | MFR Appr. | | A | 0001 | A | | | | | | | | | | | | | | | | | | | | | | | | | | | | | | |
| QA | | | | | | | | | | | | | | | | | | | | | | | | | | | | | | | | | | | |
| Unless Otherwise Specified: Dimensions in Inches | Weight: | | Scale | CAD File | Sheet | 1 of 1 | | | | | | | | | | | | | | | | | | | | | | | | | | | | | |