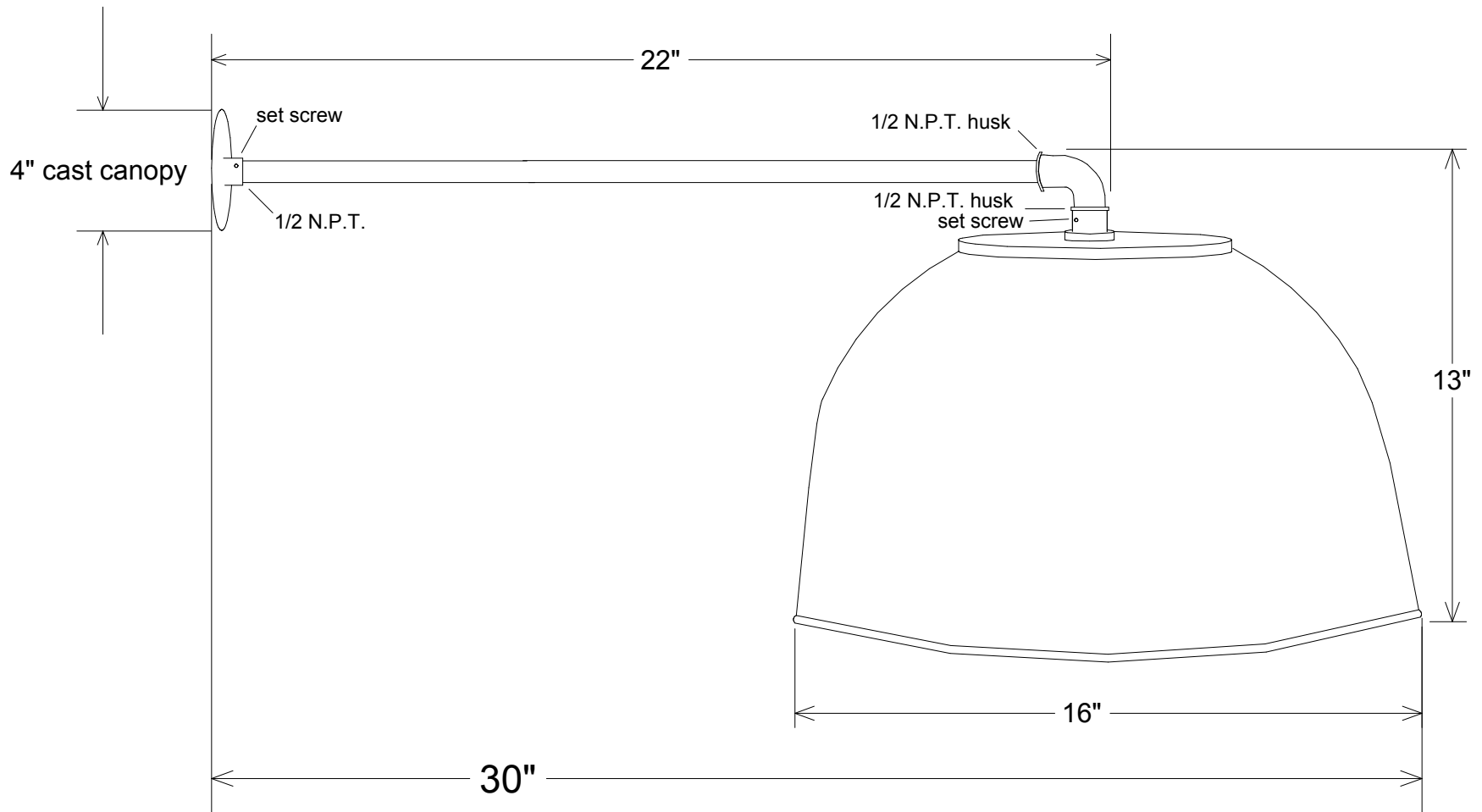


Revisions			Date	Approved
Zone	Rev	Description		



Unless Otherwise Specified: Dimensions in Inches Tolerances: Fractional ± Angular: Mach ± Bend ± Two Place Decimal ± Three Place Decimal ±		Name	Date	Primelite Mfg. Corp. 181-1164/855 Acrylic		
	Drawn	T.A.R.	11/02/09			
	Checked					
	ENG Appr.					
	MFR Appr.					
	QA					
Construction: All Aluminum	Comments			Size	Drawing No.	Rev
Pipe Size: 1/2"	CAD Generated Drawing Do Not Manually Update			A	0001	A
Lamp: 1-300A				Scale 1:4	CAD File	Sheet 1 of 1