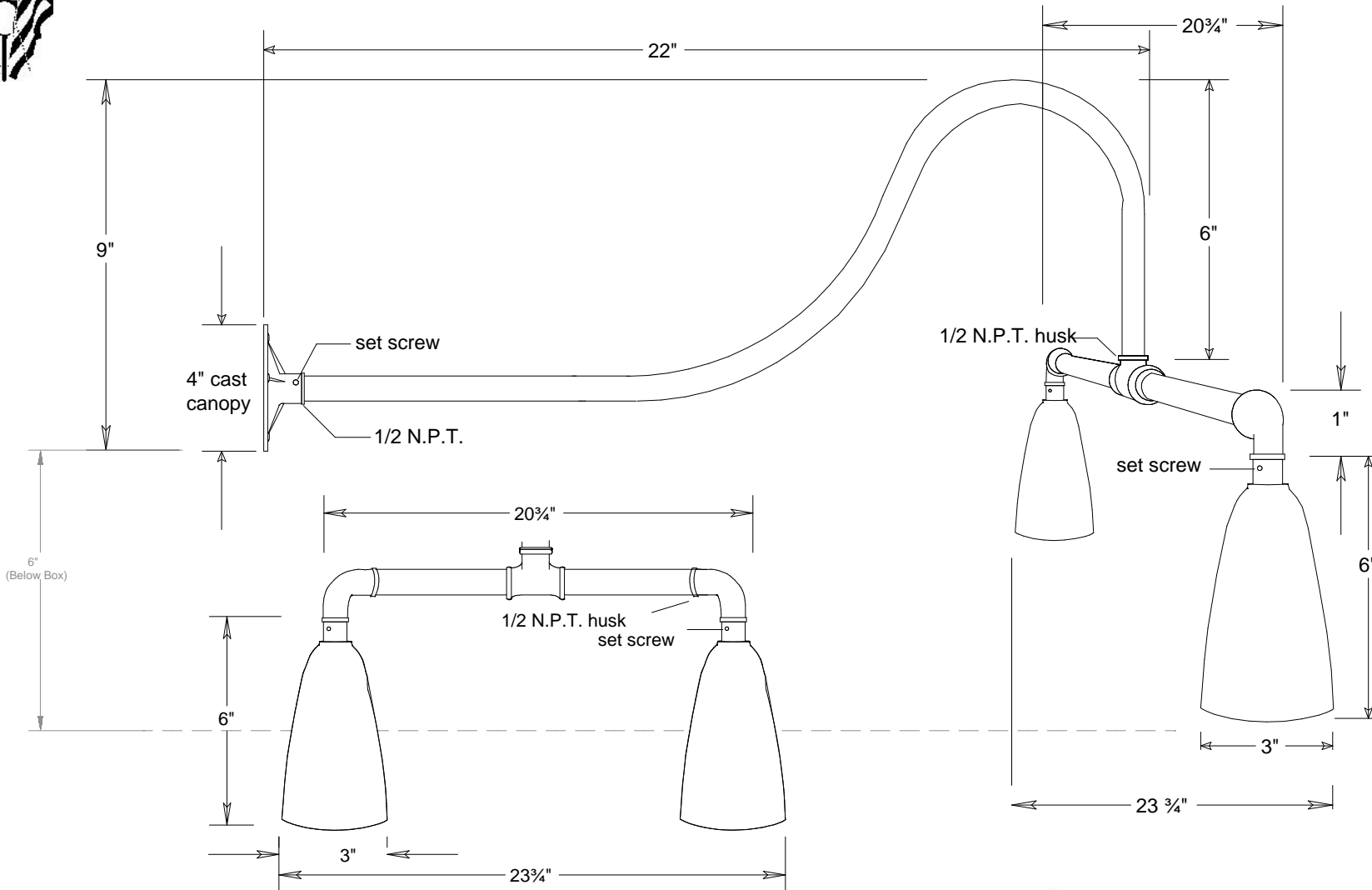




Primelite Manufacturing Corp

407 S Main St, Freeport, NY 11520
 Phone: 516-868-4411 | Fax: 516-868-4609
 sales@primelite-mfg.com | www.primelite-mfg.com

PART #	LAMP	VOLTAGE	COLOR
JOB NAME			TYPE



Unless Otherwise Specified:

Dimensions in Inches
 Tolerances: Fractional ±
 Angular: Mach ± Bend ±
 Two Place Decimal ±
 Three Place Decimal ±

	Name	Date
Drawn	lv	11/27/17
Checked		
ENG Appr.		
MFR Appr.		
QA		
Comments		

Gooseneck #18/865		
2 x 3" Shades 22" Arm 20 3/4" Crossbar 6" Below Box		
Size	Drawing No.	Rev
A	0001	A
Scale	CAD File	Sheet
		1 of 1

Revisions				
Zone	Rev	Description	Date	Approved

