

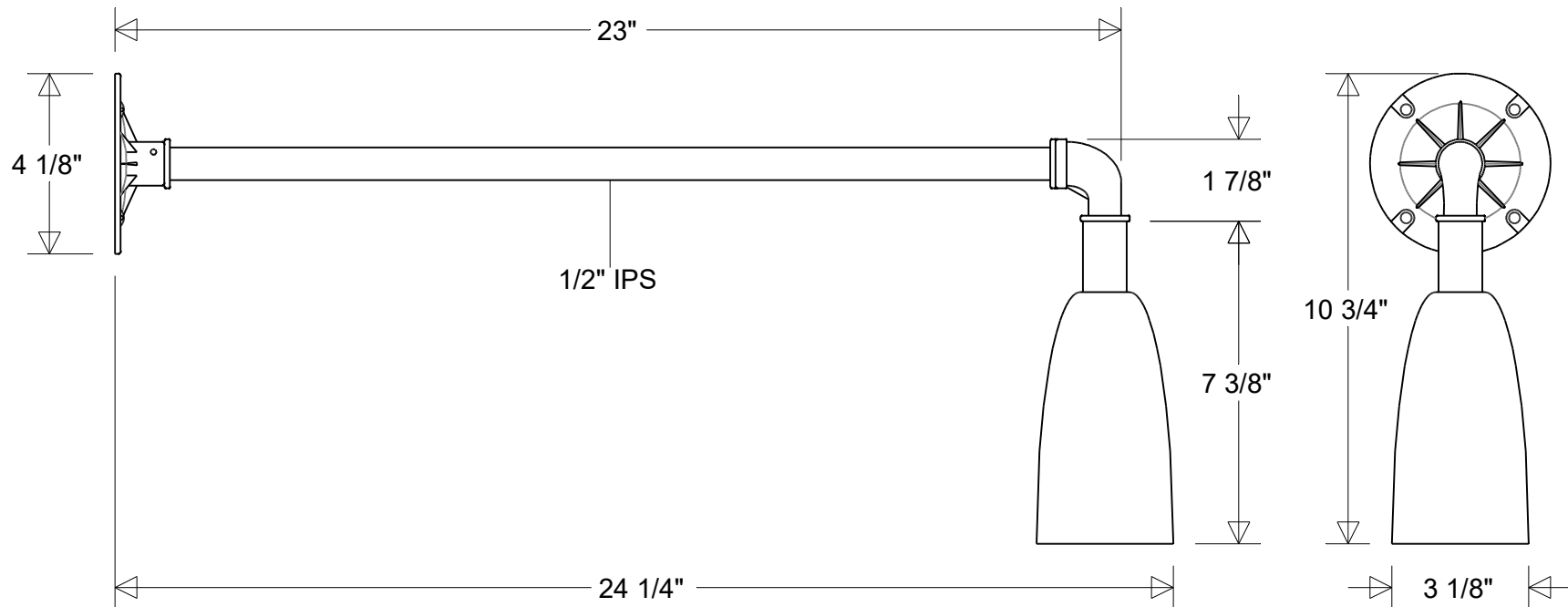


Primelite Manufacturing Corp.

407 S Main St, Freeport, NY 11520
 Phone: (516) 868-4411 | Fax: (516) 868-4609
 sales@primelite-mfg.com | www.primelite-mfg.com

PROUDLY MADE IN THE USA SINCE 1962!
"SPECIALTIES ARE OUR SPECIALTY!"

Job Info



#18/855 Series

3 1/8" Dia | 24 1/4" Ext | 10 3/4" H
 Shade: #18A Series | Arm: #855

Lamp Options:

E26 Socket
 LED12

Finish:

29 Oven Baked
 Powder Coated Paints

Material:
 Aluminum

Drawn:

CB
 05/2026

Note:

All dimensions are nominal.
 Actual dimensions may vary.

Scale:

1/4

Approvals

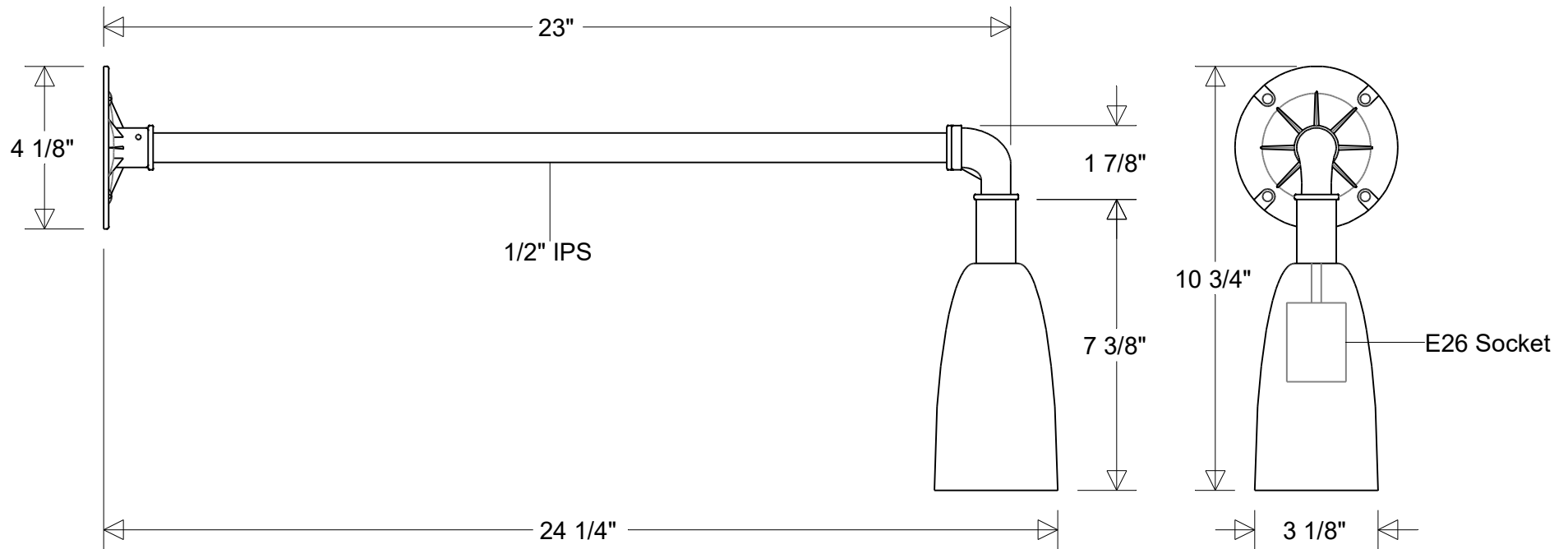


Primelite Manufacturing Corp.

407 S Main St, Freeport, NY 11520
 Phone: (516) 868-4411 | Fax: (516) 868-4609
 sales@primelite-mfg.com | www.primelite-mfg.com

PROUDLY MADE IN THE USA SINCE 1962!
"SPECIALTIES ARE OUR SPECIALTY!"

Job Info



#18/855

3 1/8" Dia | 24 1/4" Ext | 10 3/4" H
 Shade: #18A | Arm: #855

Lamp: E26 Socket
 Max Wattage: 60 W
 Number of Sockets: 1
 120 V

Finish:
 29 Oven Baked
 Powder Coated Paints

Material:
 Aluminum

Drawn:
 CB
 05/2026

Scale:
 1/4

Approvals

Note:
 All dimensions are nominal.
 Actual dimensions may vary.

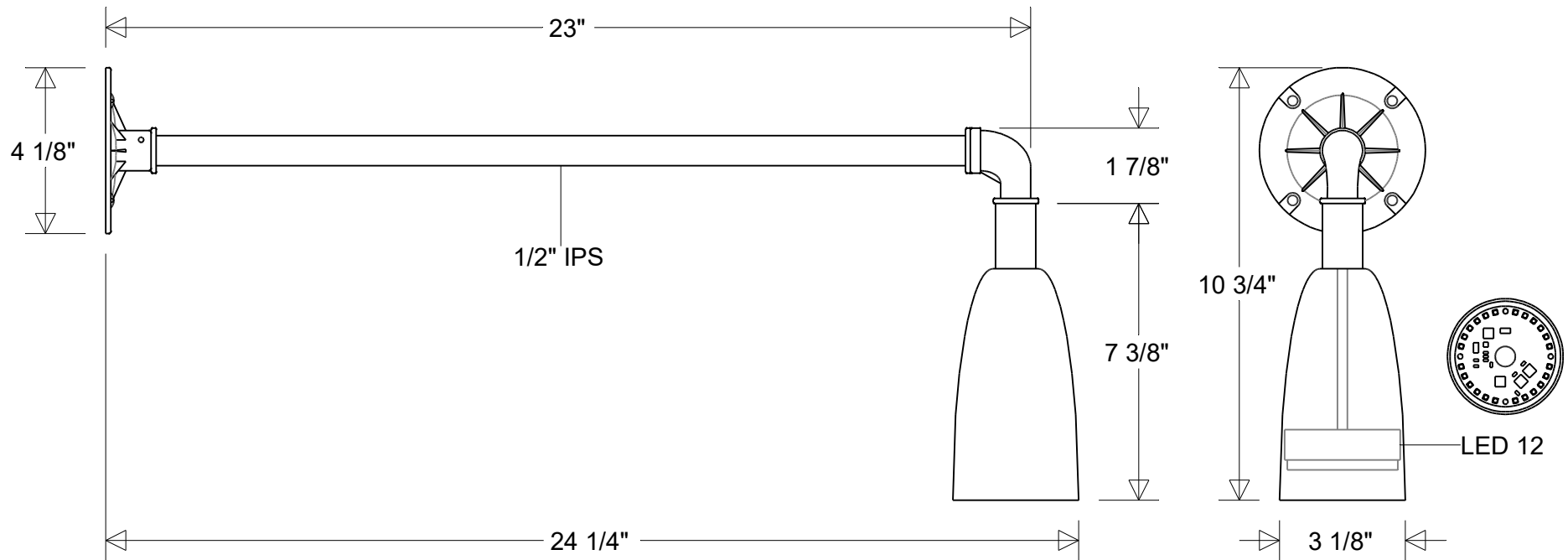


Primelite Manufacturing Corp.

407 S Main St, Freeport, NY 11520
 Phone: (516) 868-4411 | Fax: (516) 868-4609
 sales@primelite-mfg.com | www.primelite-mfg.com

PROUDLY MADE IN THE USA SINCE 1962!
"SPECIALTIES ARE OUR SPECIALTY!"

Job Info



#18/855 LED 12

3 1/8" Dia | 24 1/4" Ext | 10 3/4" H
 Shade: #18A LED 12 | Arm: #855

Lamp: 12 W LED CCT: 3K or 4K 75W Inc Equivalent	Finish: 29 Oven Baked Powder Coated Paints	Drawn: CB 05/2026	Scale: 1/4	Approvals	
80 CRI 120V Electronic Dimming	Material: Aluminum	Note: All dimensions are nominal. Actual dimensions may vary.			