

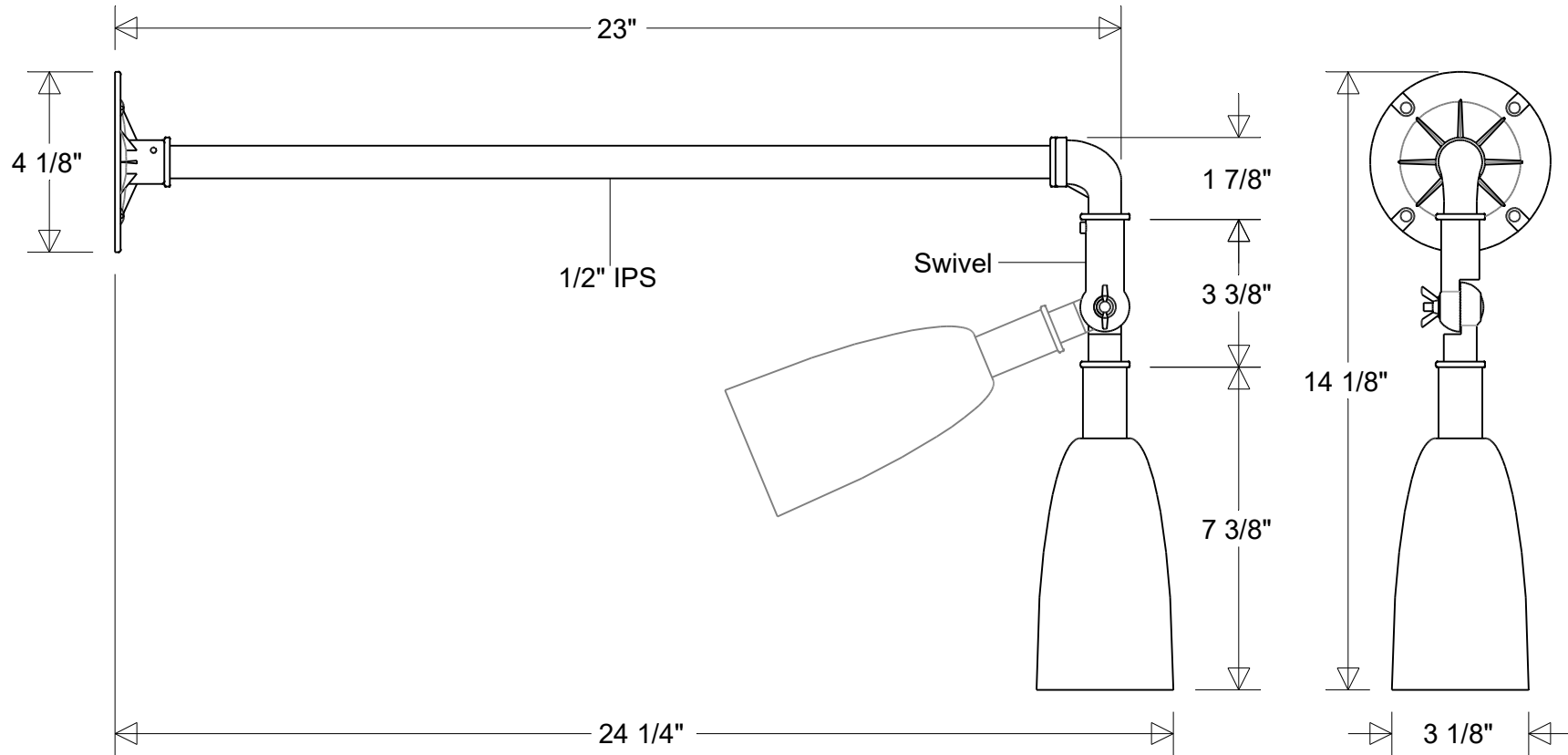


# Primelite Manufacturing Corp.

407 S Main St, Freeport, NY 11520  
 Phone: (516) 868-4411 | Fax: (516) 868-4609  
 sales@primelite-mfg.com | www.primelite-mfg.com

**PROUDLY MADE IN THE USA SINCE 1962!**  
**"SPECIALTIES ARE OUR SPECIALTY!"**

Job Info



<h2>#18/855 ESW Series</h2>	<b>Lamp Options:</b> E26 Socket LED12	<b>Finish:</b> 29 Oven Baked Powder Coated Paints	<b>Drawn:</b> CB 05/2026	<b>Scale:</b> 1/4	<b>Approvals</b>
	3 1/8" Dia   24 1/4" Ext   14 1/8" H Shade: #18A Series   Arm: #855 ESW		<b>Material:</b> Aluminum	<b>Note:</b> All dimensions are nominal. Actual dimensions may vary.	

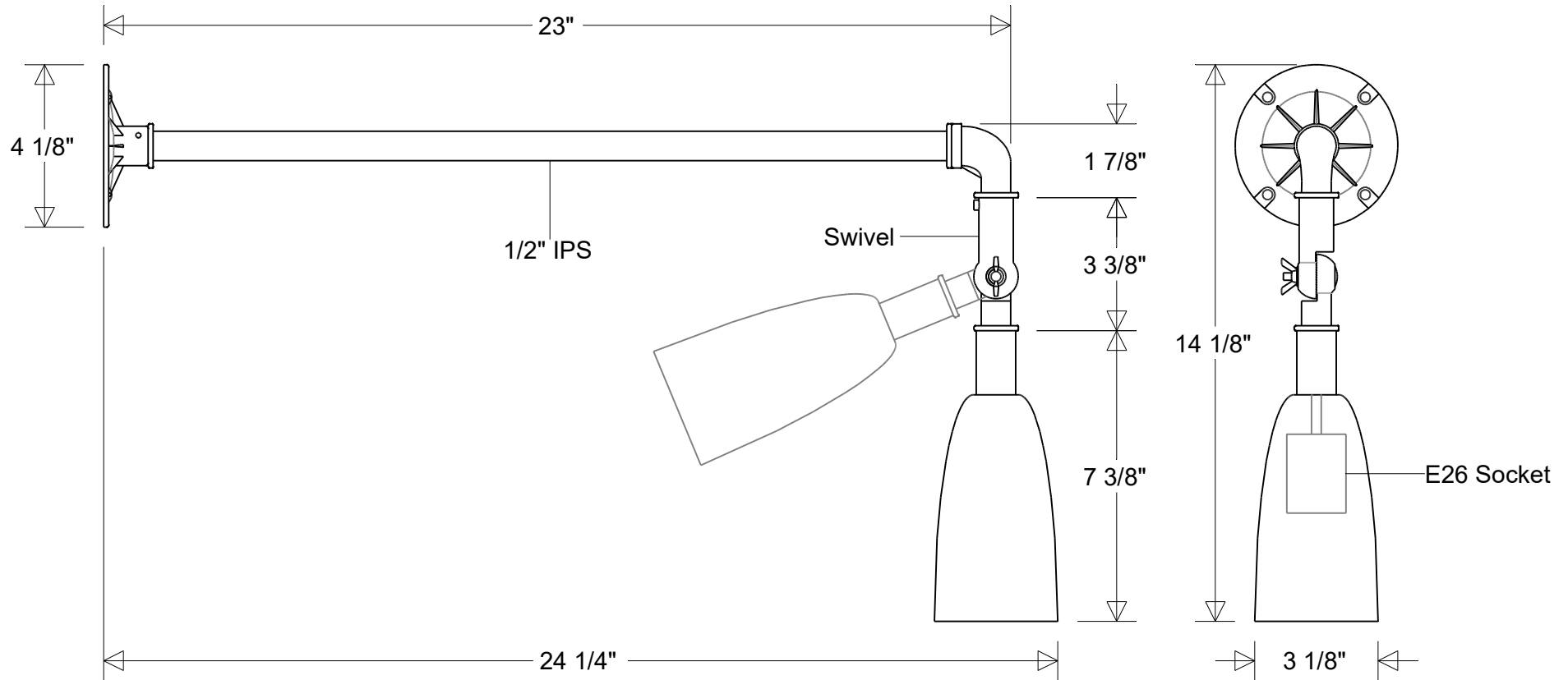


# Primelite Manufacturing Corp.

407 S Main St, Freeport, NY 11520  
 Phone: (516) 868-4411 | Fax: (516) 868-4609  
 sales@primelite-mfg.com | www.primelite-mfg.com

**PROUDLY MADE IN THE USA SINCE 1962!**  
**"SPECIALTIES ARE OUR SPECIALTY!"**

Job Info



## #18/855 ESW

3 1/8" Dia | 24 1/4" Ext | 14 1/8" H  
 Shade: #18A | Arm: #855 ESW

<b>Lamp: E26 Socket</b> Max Wattage: 60 W Number of Sockets: 1 120 V	<b>Finish:</b> 29 Oven Baked Powder Coated Paints	<b>Drawn:</b> CB 05/2026	<b>Scale:</b> 1/4	<b>Approvals</b>	
	<b>Material:</b> Aluminum	<b>Note:</b> All dimensions are nominal. Actual dimensions may vary.			

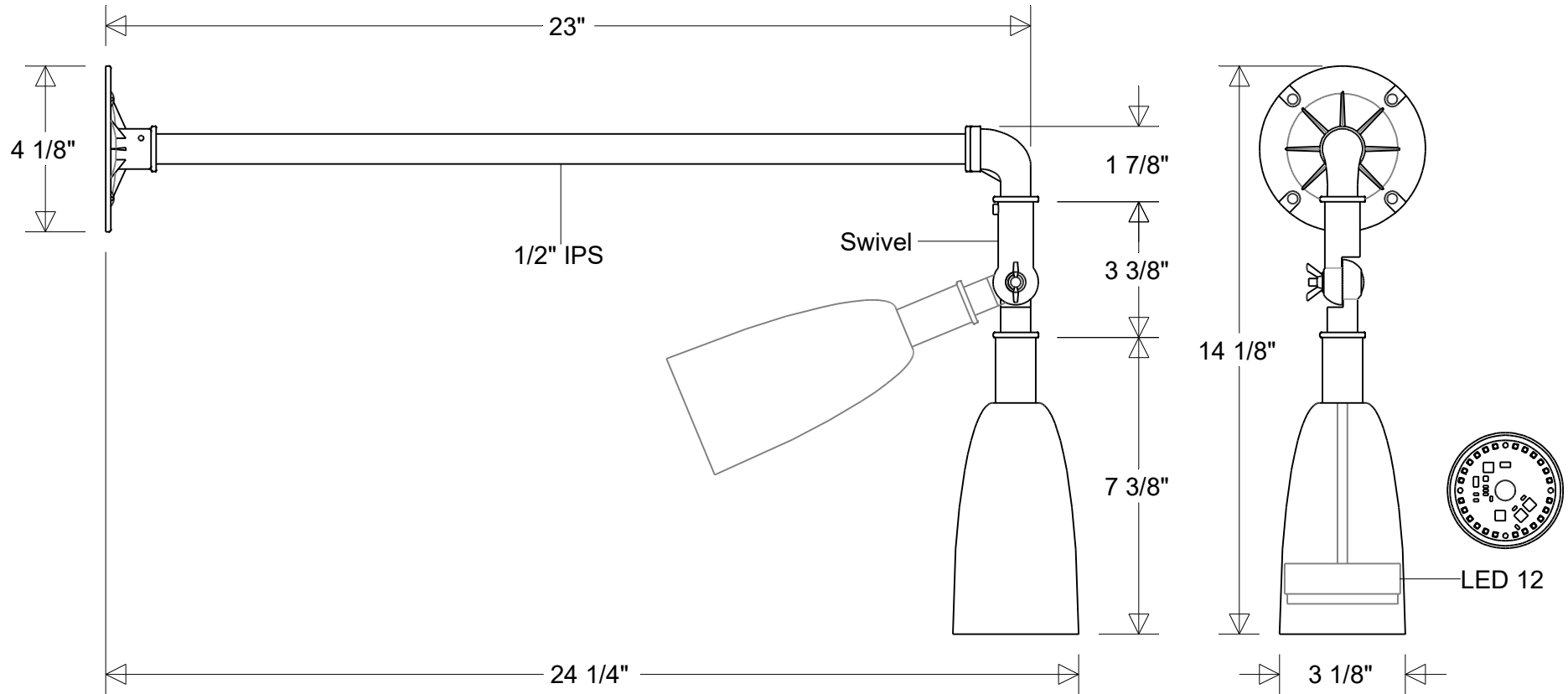


# Primelite Manufacturing Corp.

407 S Main St, Freeport, NY 11520  
 Phone: (516) 868-4411 | Fax: (516) 868-4609  
 sales@primelite-mfg.com | www.primelite-mfg.com

**PROUDLY MADE IN THE USA SINCE 1962!**  
**"SPECIALTIES ARE OUR SPECIALTY!"**

Job Info



## #18/855 ESW LED 12

3 1/8" Dia | 24 1/4" Ext | 14 1/8" H  
 Shade: #18A LED 12 | Arm: #855 ESW

**Lamp:** 12 W LED  
 CCT: 3K or 4K  
 75W Inc Equivalent  
 80 CRI  
 120V  
 Electronic Dimming

**Finish:**  
 29 Oven Baked  
 Powder Coated Paints  
**Material:**  
 Aluminum

**Drawn:**  
 CB  
 05/2026  
**Scale:**  
 1/4  
**Note:**  
 All dimensions are nominal.  
 Actual dimensions may vary.

Approvals
