

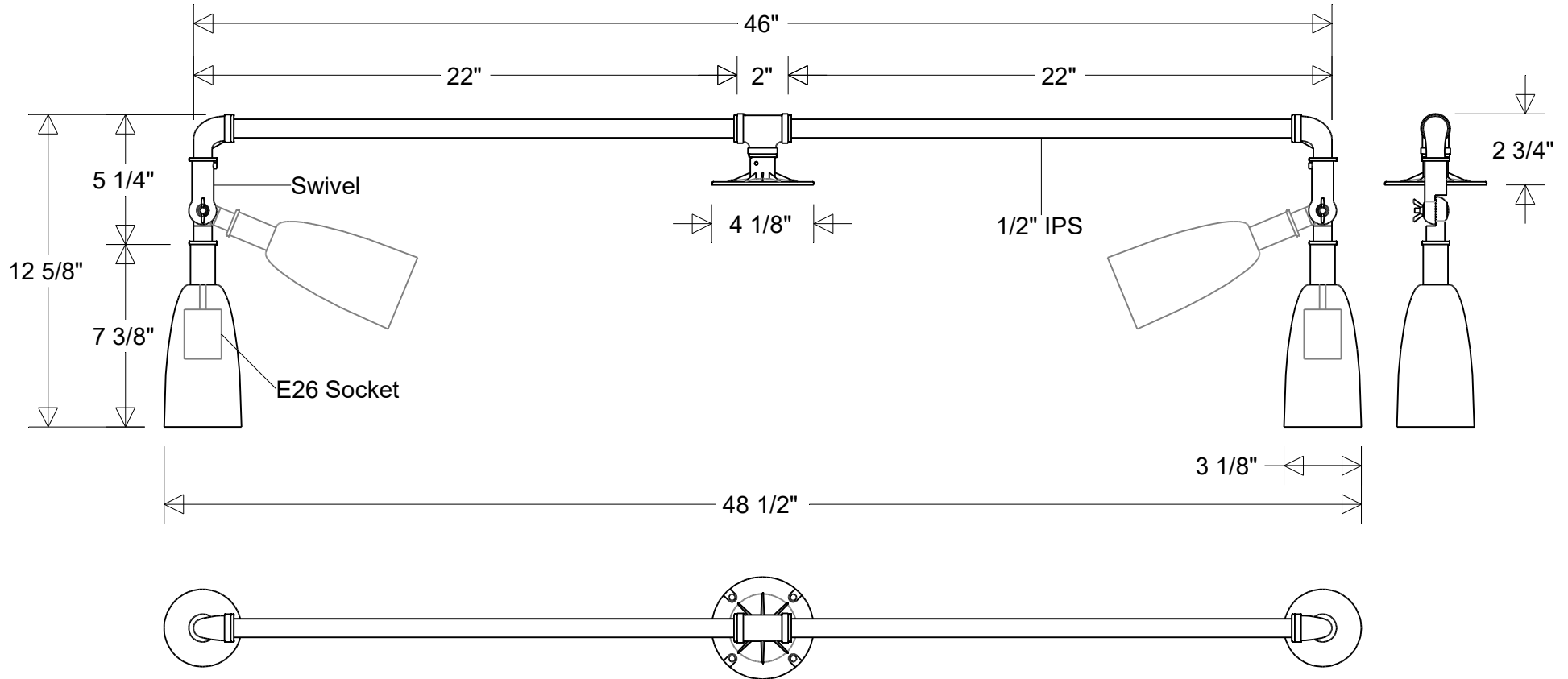


Primelite Manufacturing Corp.

407 S Main St, Freeport, NY 11520
 Phone: (516) 868-4411 | Fax: (516) 868-4609
 sales@primelite-mfg.com | www.primelite-mfg.com

PROUDLY MADE IN THE USA SINCE 1962!
"SPECIALTIES ARE OUR SPECIALTY!"

Job Info



#18/855-ESW-P2

3 1/8" Dia | 48 1/2" Ext | 12 5/8" H
 Shade: #18A | Arm: #855-ESW-P2

Lamp: E26 Socket Max Wattage: 60 W each Number of Sockets: 2 120 V	Finish: 29 Oven Baked Powder Coated Paints	Drawn: CB 05/2026	Scale: 1 / 6.25	Approvals
	Material: Aluminum	Note: All dimensions are nominal. Actual dimensions may vary.		