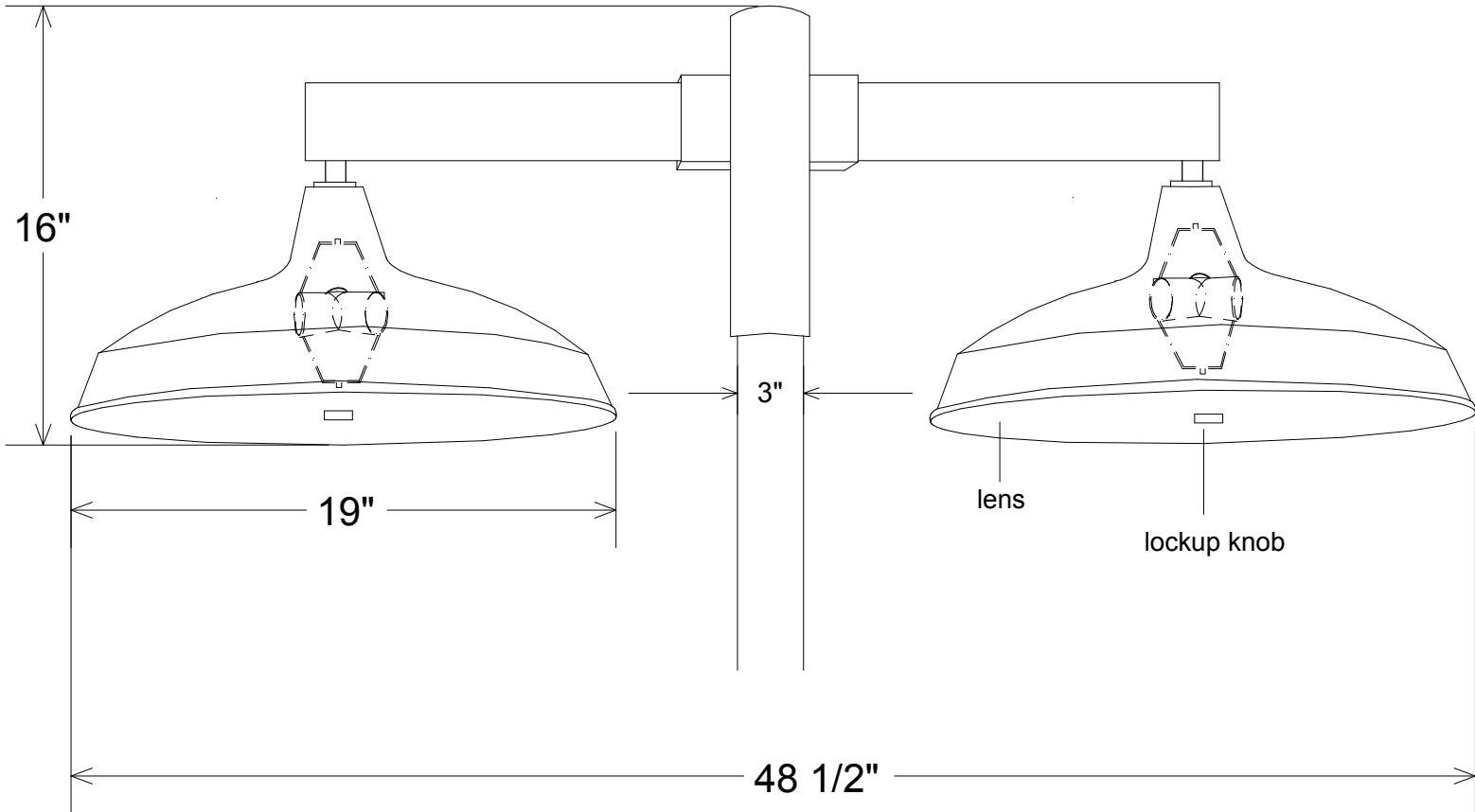


		Revisions			
Zone	Rev	Description	Date	Approved	



Unless Otherwise Specified:
 Dimensions in Inches
 Tolerances: Fractional ±
 Angular: Mach ± Bend ±
 Two Place Decimal ±
 Three Place Decimal ±

Construction: Aluminum

Lamp: 6-100, 2-100MH

Post sold seperately

	Name	Date
Drawn	T.A.R.	10/28/09
Checked		
ENG Appr.		
MFR Appr.		
QA		
Comments		
CAD Generated Drawing Do Not Manually Update		

Primelite Mfg. Corp.		
1594 T2		
Size	Drawing No.	Rev
A	0001	A
Scale	CAD File	Sheet
1:5		1 of 1