

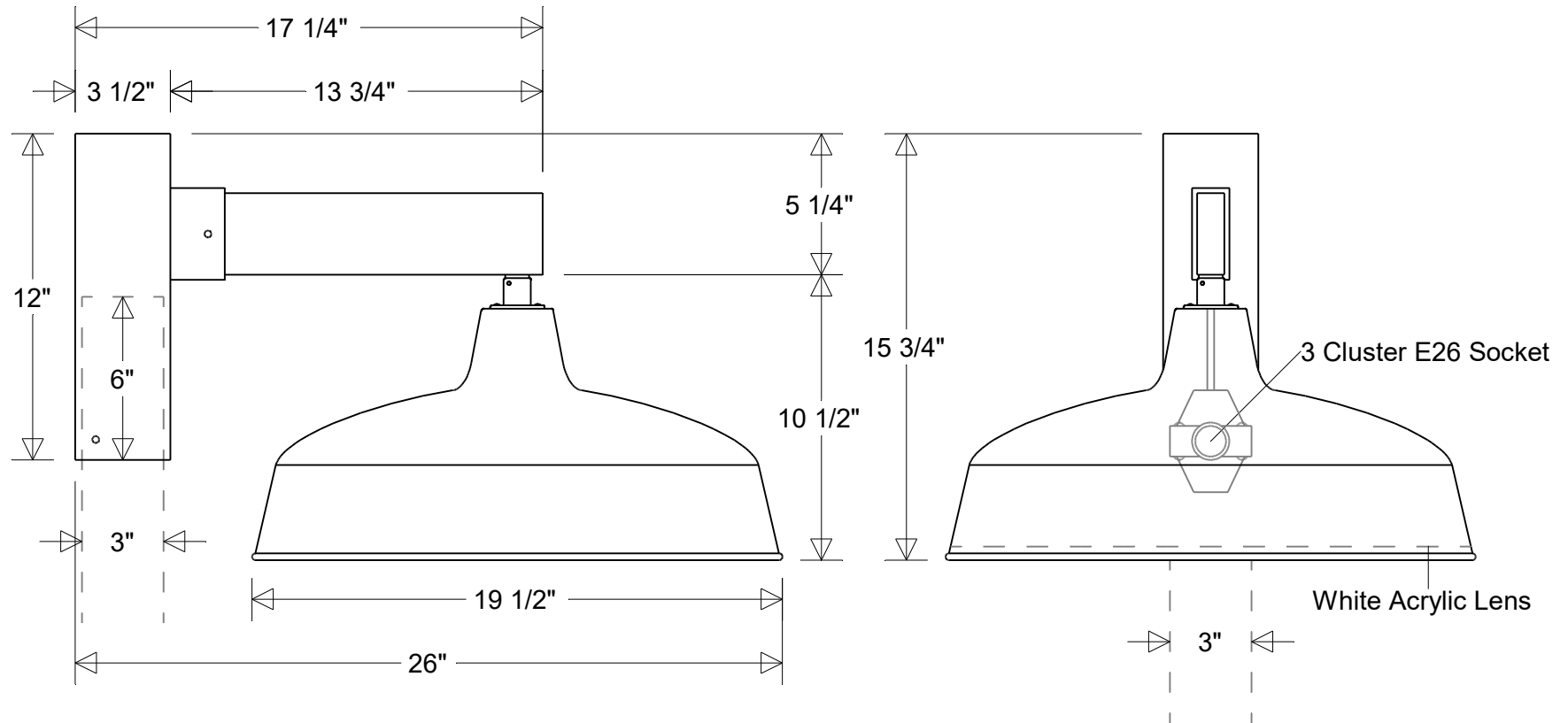


Primelite Manufacturing Corp.

407 S Main St, Freeport, NY 11520
 Phone: (516) 868-4411 | Fax: (516) 868-4609
 sales@primelite-mfg.com | www.primelite-mfg.com

PROUDLY MADE IN THE USA SINCE 1962!
"SPECIALTIES ARE OUR SPECIALTY!"

Job Info



#1594 T1

19 1/2" Dia | 15 3/4" H | 26" Ext
 3" OD Round Post Fitter

Lamp: E26 Socket Max Wattage: 100 W each Number of Sockets: 3 120 V	Finish: 29 Oven Baked Powder Coated Paints	Drawn: CB 06/2026	Scale: 1 / 6.25	Approvals
	Material: Aluminum White Acrylic Lens	Note: All dimensions are nominal. Actual dimensions may vary.		