

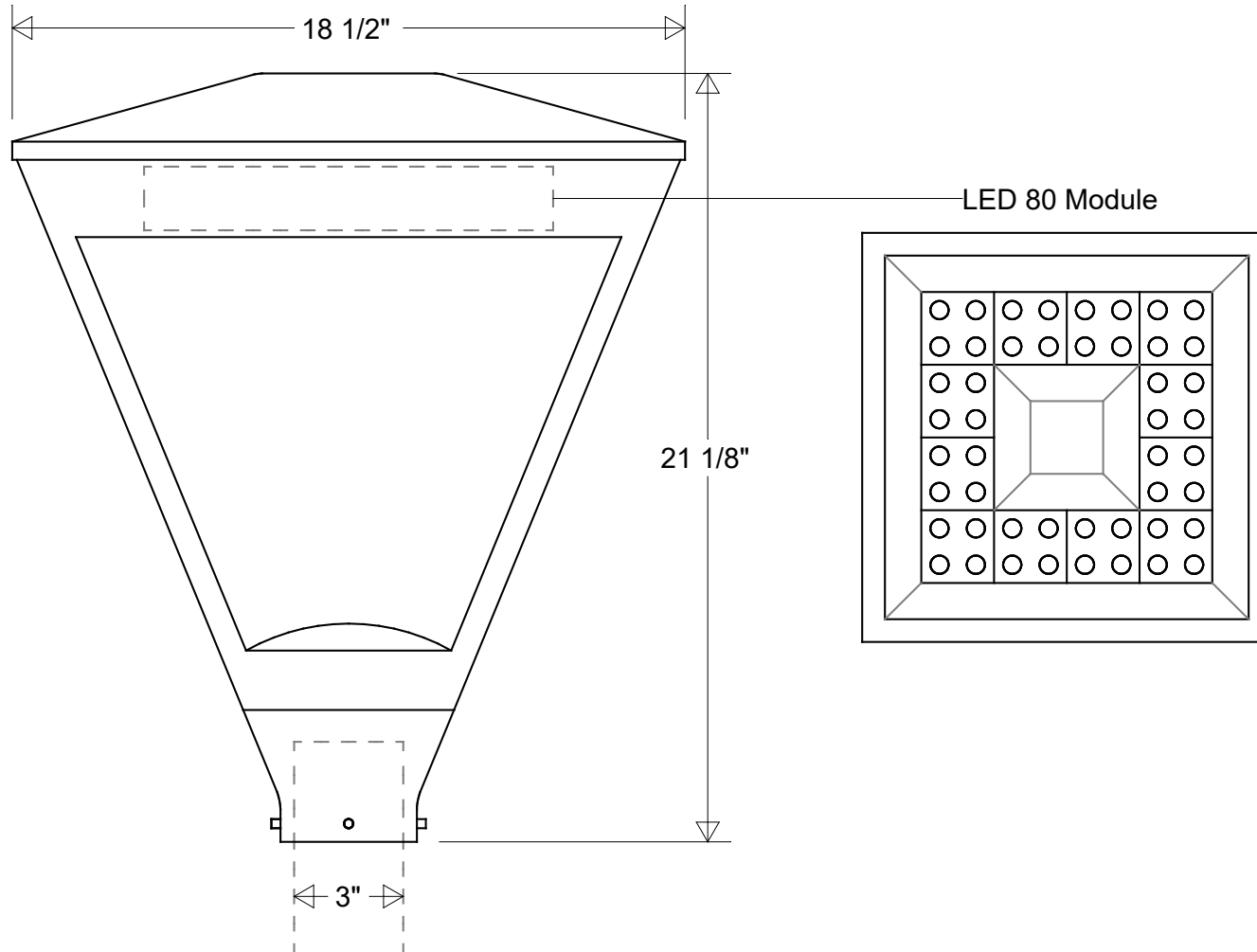



Primelite Manufacturing Corp

407 S Main St, Freeport, NY 11520

Phone: 516-868-4411 | Fax: 516-868-4609
 sales@primelite-mfg.com | www.primelite-mfg.com

PART # #1576 LED 80	LAMP Built-In LED	VOLTAGE 100-240 V	COLOR Powder Coated Black
JOB NAME			TYPE Post Light



Lamp: LED 80 Module 175 W MH Equivalent 3K = 10,000 Lumens 	Initials	Date	Post Light #1576 LED 80			
	Drawn	CB				01/2023
	Checked			18 1/2" W 21 1/8" H Fits 3" OD Round Posts and Pier Mounts		
	ENG Appr.					
Construction: Aluminum Acrylic Lens	MFR Appr.		Size A	Drawing No. 0001	Rev A	
Unless Otherwise Specified: Dimensions in Inches	Weight: 30 lbs	Scale	CAD File	Sheet 1 of 1		

Revisions				
Zone	Rev	Description	Date	Appr