

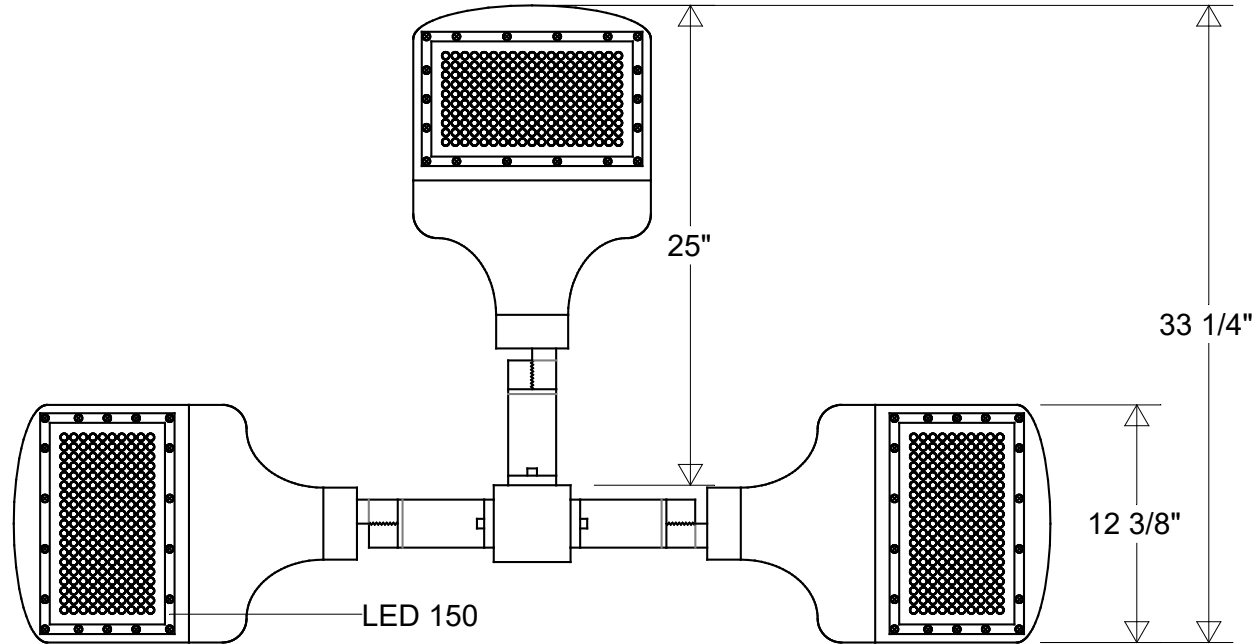
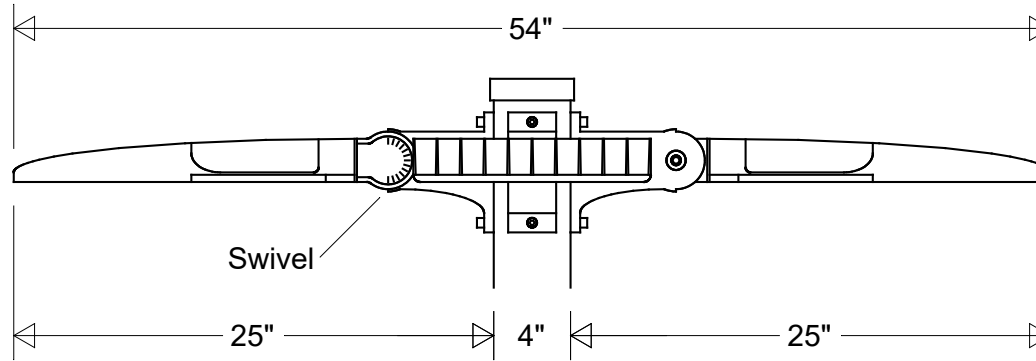


Primelite Manufacturing Corp

407 S Main St, Freeport, NY 11520

Phone: 516-868-4411 | Fax: 516-868-4609
 sales@primelite-mfg.com | www.primelite-mfg.com

| | | | |
|----------------------------|----------------------|----------------------|-------------------------|
| PART # #1573 T3 LED 150 | LAMP Built-In LED | VOLTAGE 120-277 V | COLOR Bronze White |
| JOB NAME | | | TYPE Shoebox |



| | | | | | | |
|---|-----------|------|-----------------------------------|---|------------------------|---------|
| Lamp: LED 150 W 400 W MH Equivalent 5K = 21,000 Lumens | Initials | Date | <h2>Shoebox #1573 T3 LED 150</h2> | | | |
| | Drawn | CB | | | | 11/2022 |
| | Checked | | | 12 3/8" W 54" L1 33 1/4" L2 Adjustable Angle 4" Square Pole: 7' 8' 10' 12' 14' 16' 18' 20' | | |
| | ENG Appr. | | | Size | Drawing No. | Rev |
| Construction: Aluminum | MFR Appr. | | A | 0001 | A | |
| Unless Otherwise Specified: Dimensions in Inches | Weight: | | Scale | CAD File | Sheet 1 of 1 | |

| Revisions | | | | |
|-----------|-----|-------------|------|------|
| Zone | Rev | Description | Date | Appr |
| | | | | |
| | | | | |
| | | | | |