

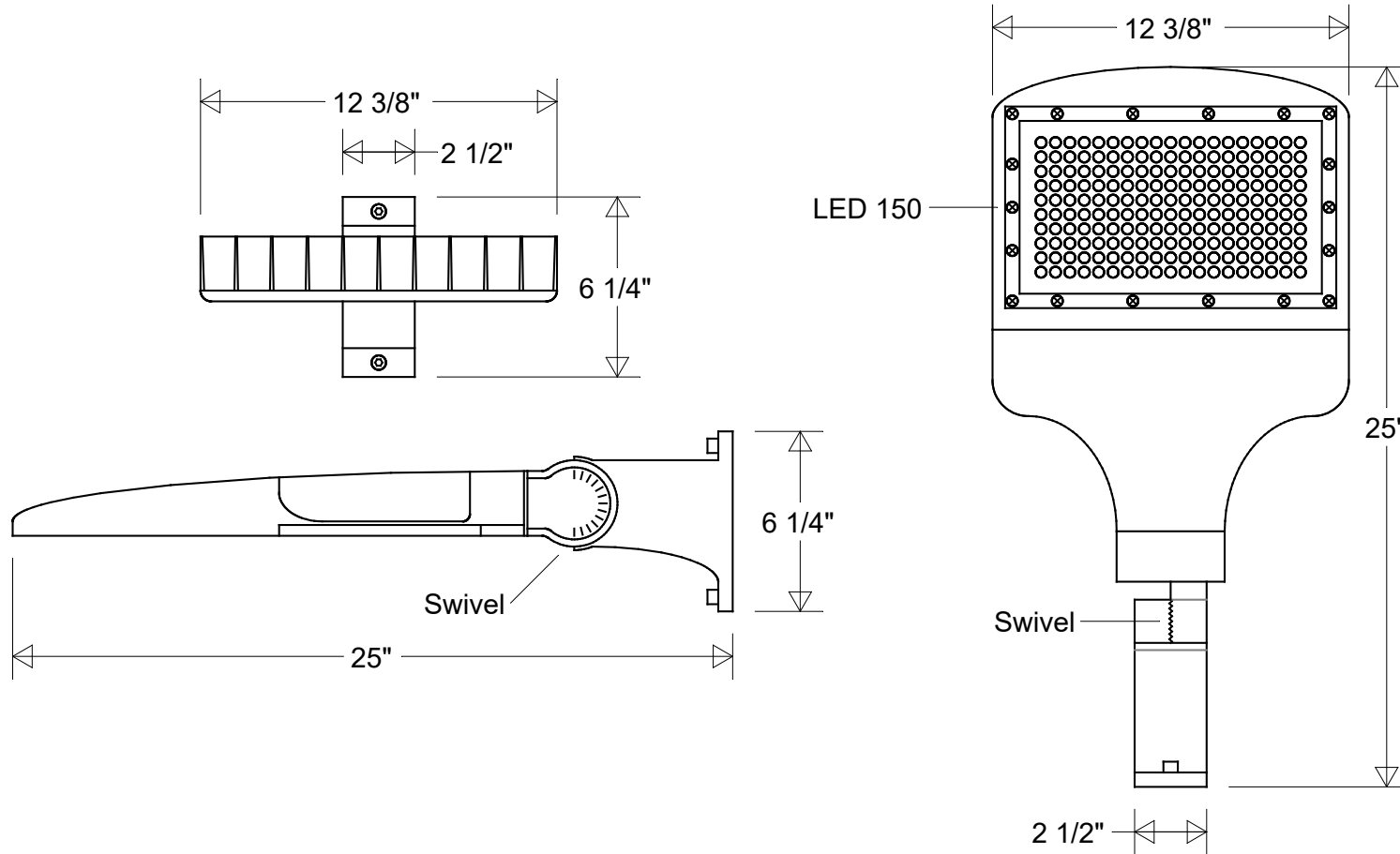


# Primelite Manufacturing Corp

407 S Main St, Freeport, NY 11520

Phone: 516-868-4411 | Fax: 516-868-4609  
 sales@primelite-mfg.com | www.primelite-mfg.com

PART # #1573 LED 150	LAMP Built-In LED	VOLTAGE 120-277 V	COLOR Bronze   White
JOB NAME			TYPE Shoebox



Lamp: LED 150 W 400 W MH Equivalent 5K = 21,000 Lumens	Initials	Date	<b>Shoebox #1573 LED 150</b>			
	Drawn	CB				11/2022
	Checked			12 3/8" W   25" L   6 1/4" H Adjustable Angle		
	ENG Appr.					
Construction: Aluminum	MFR Appr.		Size	Drawing No.	Rev	
	QA		<b>A</b>	<b>0001</b>	<b>A</b>	
Unless Otherwise Specified: Dimensions in Inches	Weight:		Scale	CAD File	Sheet	
					<b>1 of 1</b>	

Revisions				
Zone	Rev	Description	Date	Appr