



Primelite Manufacturing Corp

407 S Main St, Freeport, NY 11520

Phone: 516-868-4411 | Fax: 516-868-4609
 sales@primelite-mfg.com | www.primelite-mfg.com

PART #

#1573 LED T1

LAMP

Built-In LED

VOLTAGE

120-277 V

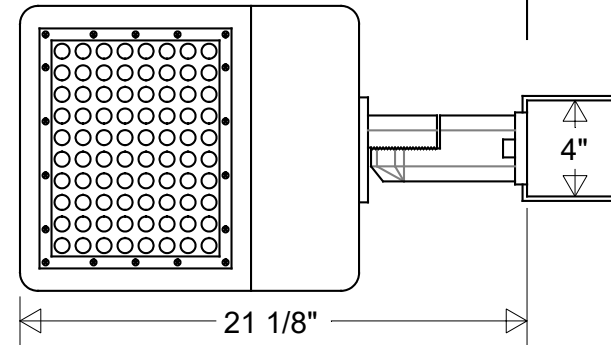
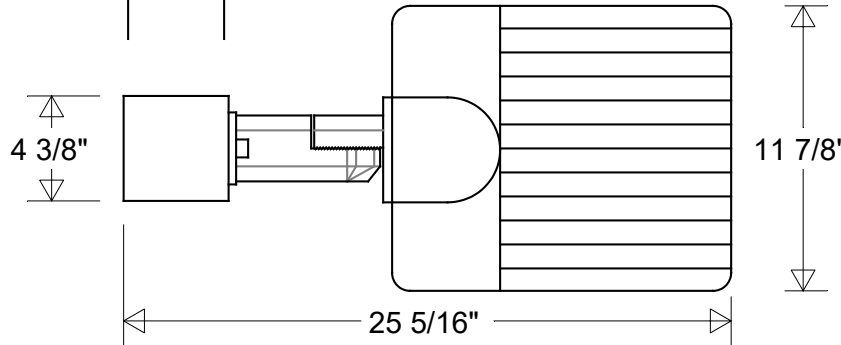
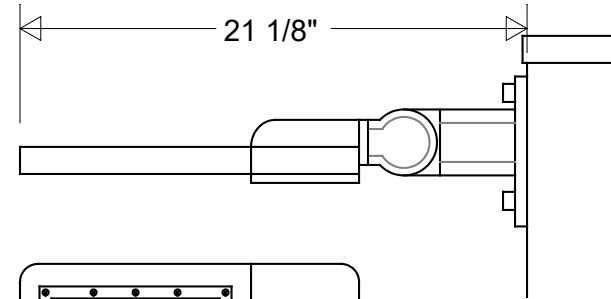
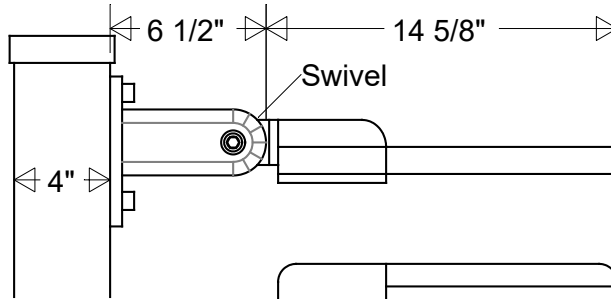
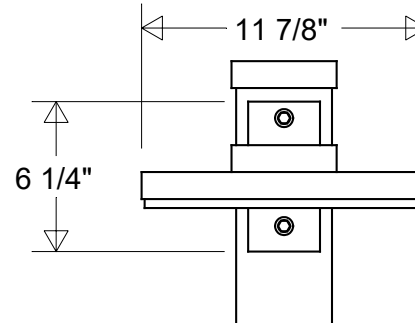
COLOR

Bronze

JOB NAME

TYPE

Post Light



Lamp: LED Switchable Option 1: 240 W = 40,000 Lumens Option 2: 200 W = 35,000 Lumens Option 3: 150 W = 28,000 Lumens 0-10V Dimmable 120-277 V T3 Distribution	Initials	Date	#1573 LED T1			
	Drawn	CB				10/2023
	Checked			11 7/8" W 25 5/16" Ext 6 1/4" H Photocell Swivel 4" Square Post: 7' 8' 10' 12' 14' 16' 18' 20'		
	ENG Appr.					
Construction: Aluminum	MFR Appr.		Size	Drawing No.	Rev	
	QA		A	0001	A	
Unless Otherwise Specified: Dimensions in Inches	Weight:		Scale	CAD File	Sheet	
					1 of 1	

Revisions				
Zone	Rev	Description	Date	Appr

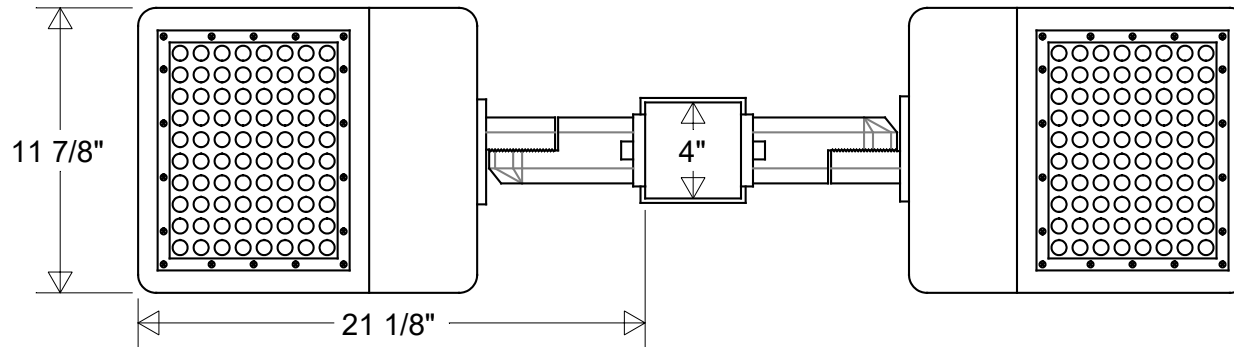
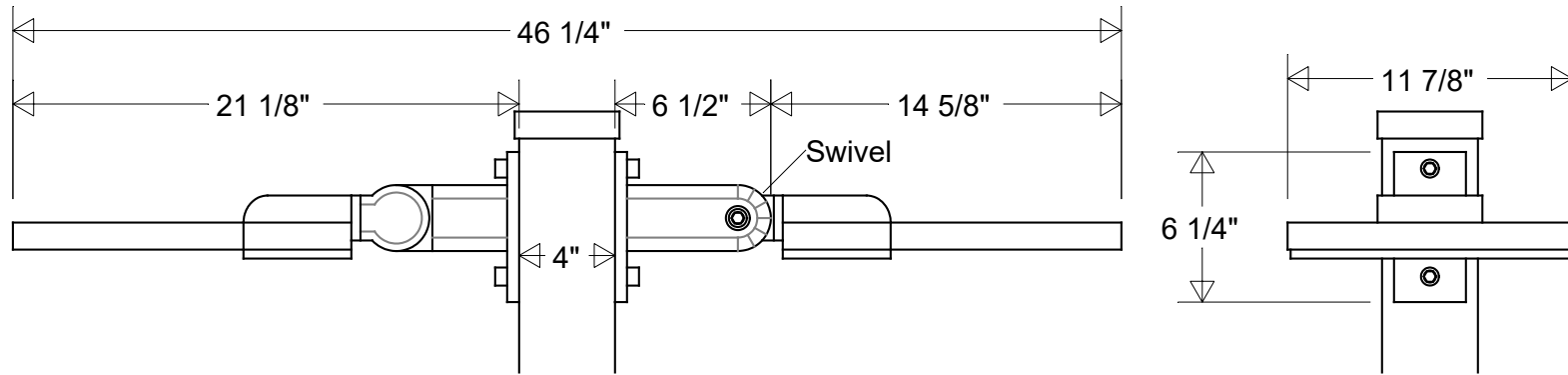


Primelite Manufacturing Corp

407 S Main St, Freeport, NY 11520

Phone: 516-868-4411 | Fax: 516-868-4609
 sales@primelite-mfg.com | www.primelite-mfg.com

PART # #1573 LED T2	LAMP Built-In LED	VOLTAGE 120-277 V	COLOR Bronze
JOB NAME			TYPE Post Light



Lamp: LED Switchable Option 1: 240 W = 40,000 Lumens Option 2: 200 W = 35,000 Lumens Option 3: 150 W = 28,000 Lumens 0-10V Dimmable 120-277 V T3 Distribution	Initials	Date	#1573 LED T2			
	Drawn	CB				10/2023
	Checked			11 7/8" W 46 1/4" Ext 6 1/4" H Photocell Swivel 4" Square Post: 7' 8' 10' 12' 14' 16' 18' 20'		
	ENG Appr.					
Construction: Aluminum	MFR Appr.		Size	Drawing No.	Rev	
	QA		A	0001	A	
Unless Otherwise Specified: Dimensions in Inches	Weight:		Scale	CAD File	Sheet	
					1 of 1	

Revisions				
Zone	Rev	Description	Date	Appr

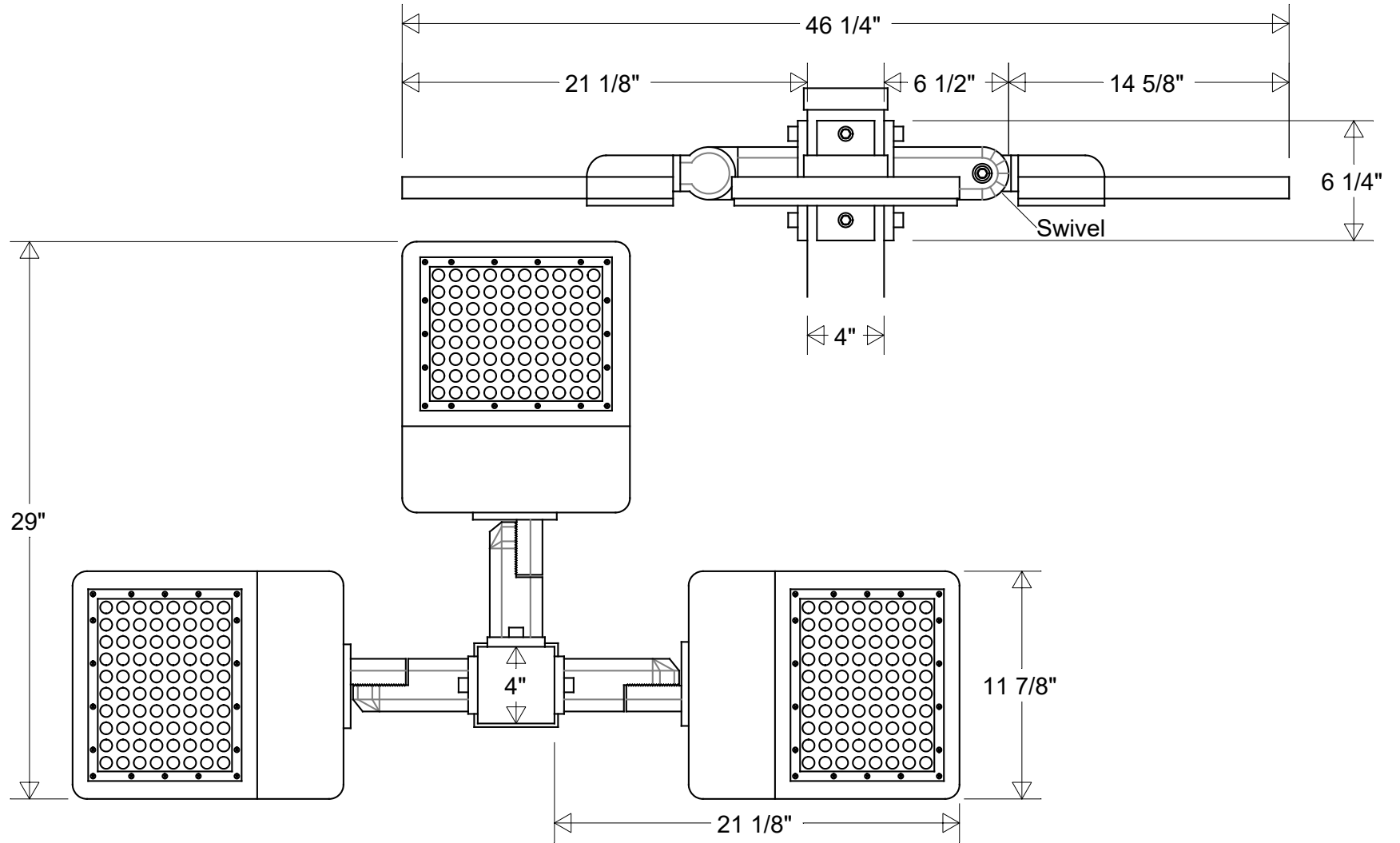


Primelite Manufacturing Corp

407 S Main St, Freeport, NY 11520

Phone: 516-868-4411 | Fax: 516-868-4609
 sales@primelite-mfg.com | www.primelite-mfg.com

PART # #1573 LED T3	LAMP Built-In LED	VOLTAGE 120-277 V	COLOR Bronze
JOB NAME			TYPE Post Light



Lamp: LED Switchable Option 1: 240 W = 40,000 Lumens Option 2: 200 W = 35,000 Lumens Option 3: 150 W = 28,000 Lumens 0-10V Dimmable 120-277 V T3 Distribution	Initials	Date	#1573 LED T3			
	Drawn	CB				10/2023
	Checked			29" W 46 1/4" Ext 6 1/4" H Photocell Swivel 4" Square Post: 7' 8' 10' 12' 14' 16' 18' 20'		
	ENG Appr.					
Construction: Aluminum	MFR Appr.		Size	Drawing No.	Rev	
	QA		A	0001	A	
Unless Otherwise Specified: Dimensions in Inches	Weight:		Scale	CAD File	Sheet	
					1 of 1	

Revisions				
Zone	Rev	Description	Date	Appr



Primelite Manufacturing Corp

407 S Main St, Freeport, NY 11520

Phone: 516-868-4411 | Fax: 516-868-4609
 sales@primelite-mfg.com | www.primelite-mfg.com

PART #

#1573 LED T4

LAMP

Built-In LED

VOLTAGE

120-277 V

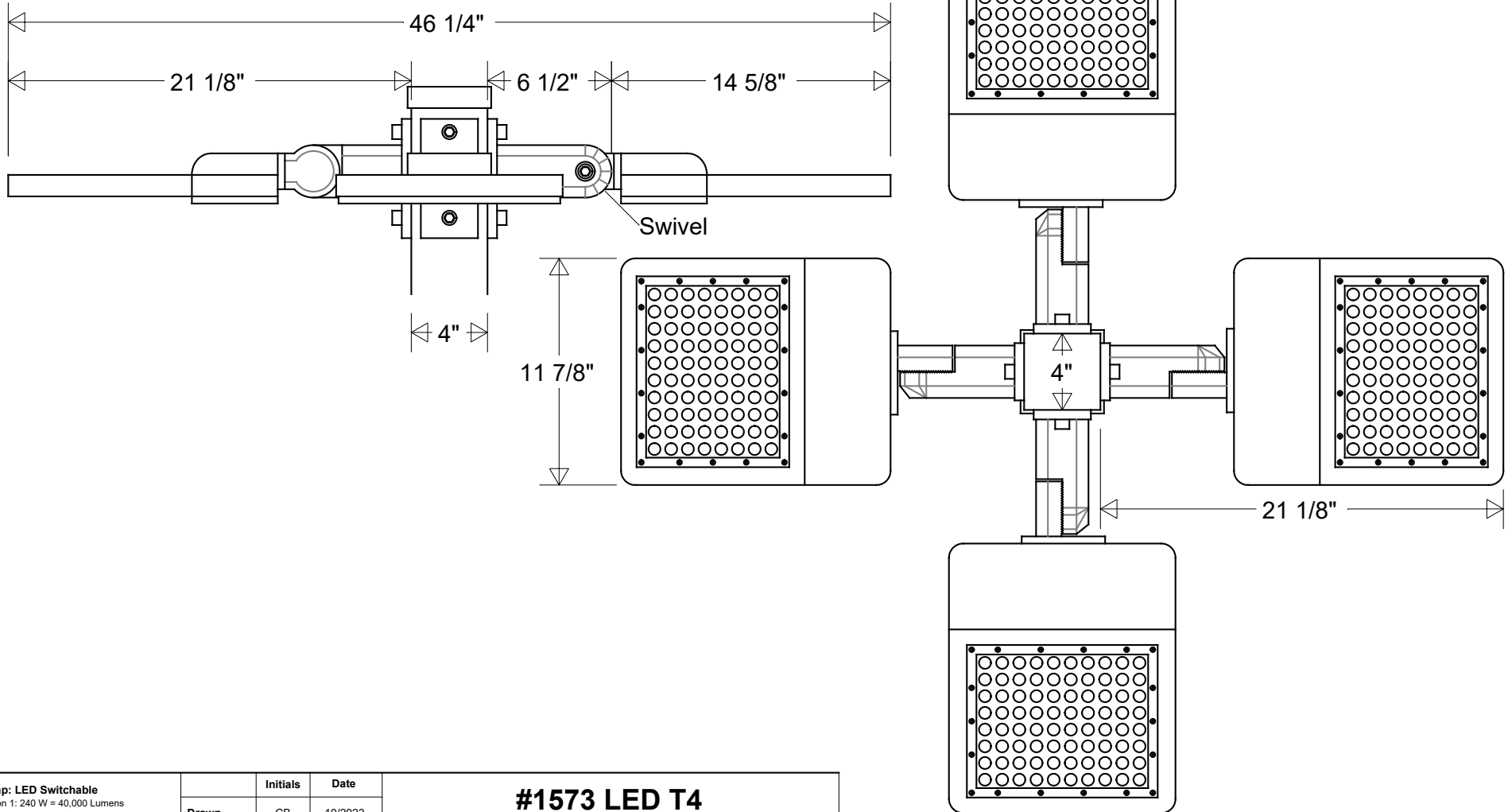
COLOR

Bronze

JOB NAME

TYPE

Post Light



Lamp: LED Switchable Option 1: 240 W = 40,000 Lumens Option 2: 200 W = 35,000 Lumens Option 3: 150 W = 28,000 Lumens 0-10V Dimmable 120-277 V T3 Distribution	Initials	Date	#1573 LED T4			
	Drawn	CB				10/2023
	Checked			46 1/4" W 46 1/4" Ext 6 1/4" H Photocell Swivel 4" Square Post: 7' 8' 10' 12' 14' 16' 18' 20'		
	ENG Appr.					
Construction: Aluminum	MFR Appr.		Size	Drawing No.	Rev	
	QA		A	0001	A	
Unless Otherwise Specified: Dimensions in Inches	Weight:		Scale	CAD File	Sheet	
					1 of 1	

Revisions				
Zone	Rev	Description	Date	Appr