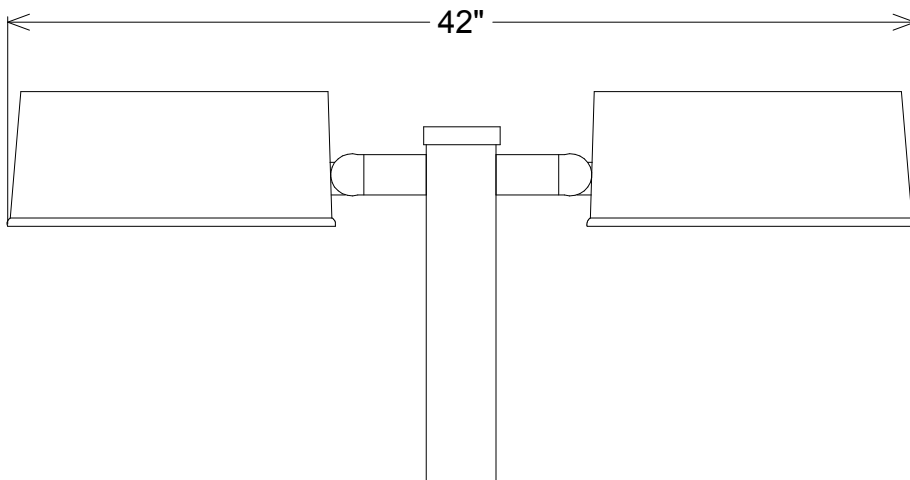


bottom view



Unless Otherwise Specified: Dimensions in Inches Tolerances: Fractional ± Angular: Mach ± Bend ± Two Place Decimal ± Three Place Decimal ±		Name	Date	Primelite Mfg. Corp. 1573 T2 175MH		
	Drawn	T.A.R.	04/06/10			
	Checked					
	ENG Appr.					
	MFR Appr.					
	QA					
	Comments			Size	Drawing No.	Rev
Construction: All Aluminum	CAD Generated Drawing Do Not Manually Update			A	0001	A
				Scale	CAD File	Sheet
				1:4		1 of 1