

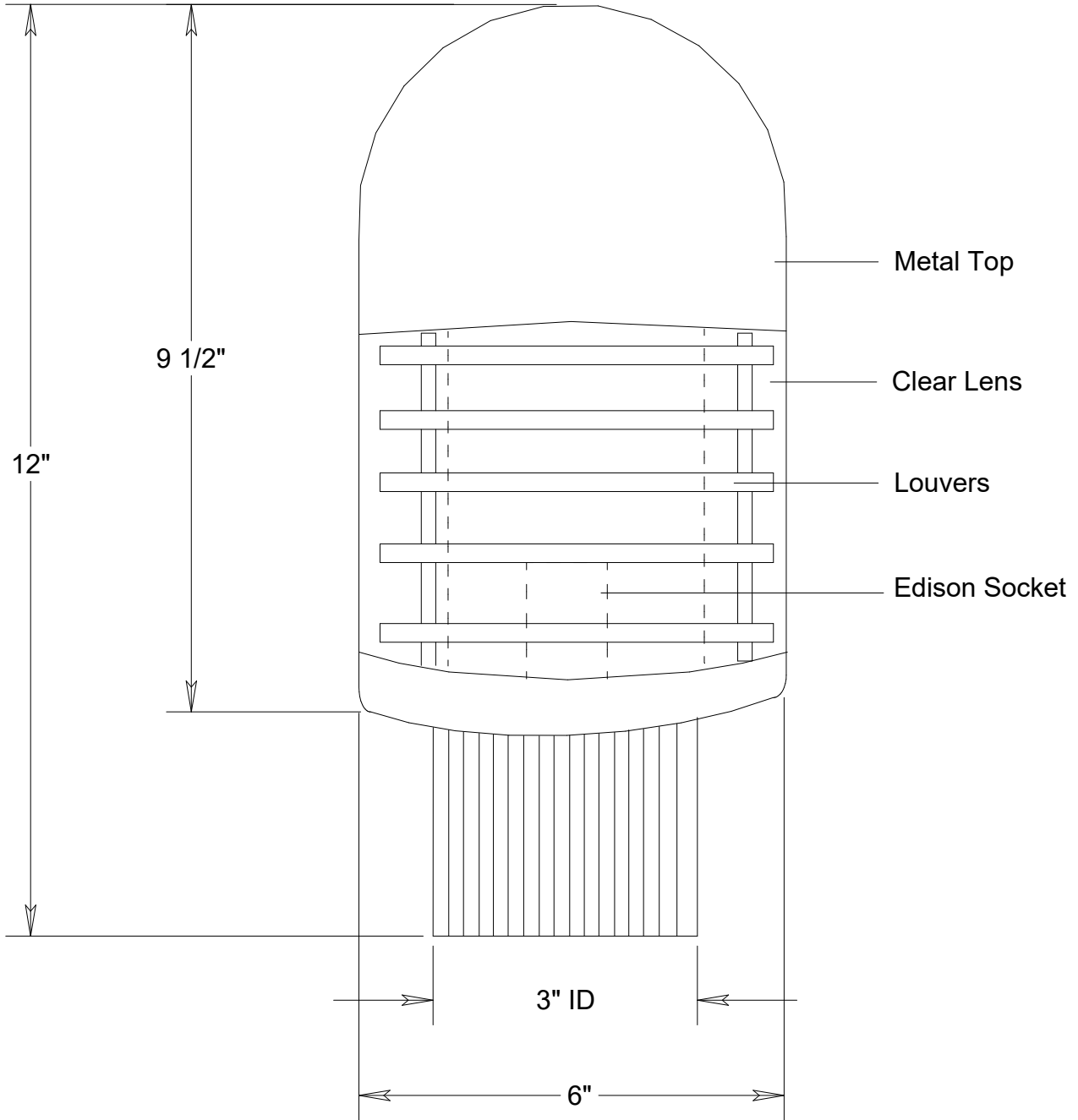


Primelite Manufacturing Corp

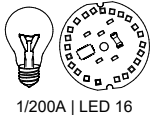
407 S Main St, Freeport, NY 11520

Phone: 516-868-4411 | Fax: 516-868-4609
 sales@primelite-mfg.com | www.primelite-mfg.com

PART # #1535/4	LAMP Incandescent LED	VOLTAGE 120 V	COLOR Powder Coated Paint
JOB NAME			TYPE Post Mount



Lamp: Incandescent | LED



1/200A | LED 16

Name Date

Drawn CB 5/19

Checked

ENG Appr.

MFR Appr.

QA

Weight

Post Mount #1535/4

Dia 6" | Ht 12" | Post Light

Size
A

Drawing No.
0001

Rev
A

Scale

CAD File

Sheet

1 of 1

Revisions				
Zone	Rev	Description	Date	Approved