

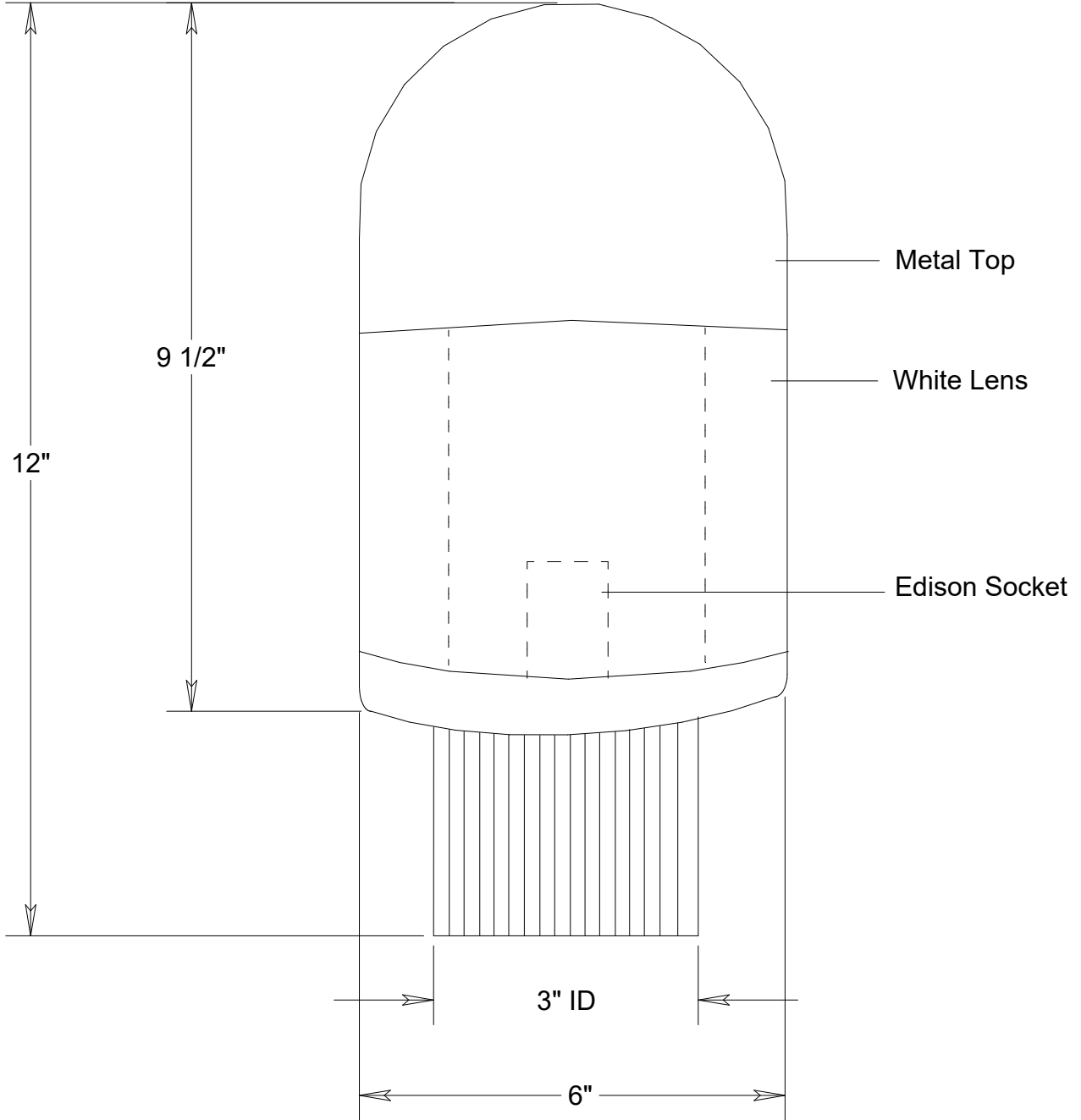


Primelite Manufacturing Corp

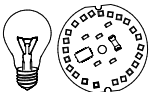
407 S Main St, Freeport, NY 11520

Phone: 516-868-4411 | Fax: 516-868-4609
 sales@primelite-mfg.com | www.primelite-mfg.com

PART # #1535/3	LAMP Incandescent LED	VOLTAGE 120 V	COLOR Powder Coated Paint
JOB NAME			TYPE Post Mount



Lamp: Incandescent | LED



1/200A | LED 16

Name Date

Drawn CB 5/19

Checked

ENG Appr.

MFR Appr.

QA

Weight

Post Mount #1535/3

Dia 6" | Ht 12" | Post Light

Size

A

Drawing No.

0001

Rev

A

Construction: Aluminum

Unless Otherwise Specified:
Dimensions in Inches

Scale

CAD File

Sheet

1 of 1

Revisions				
Zone	Rev	Description	Date	Approved