

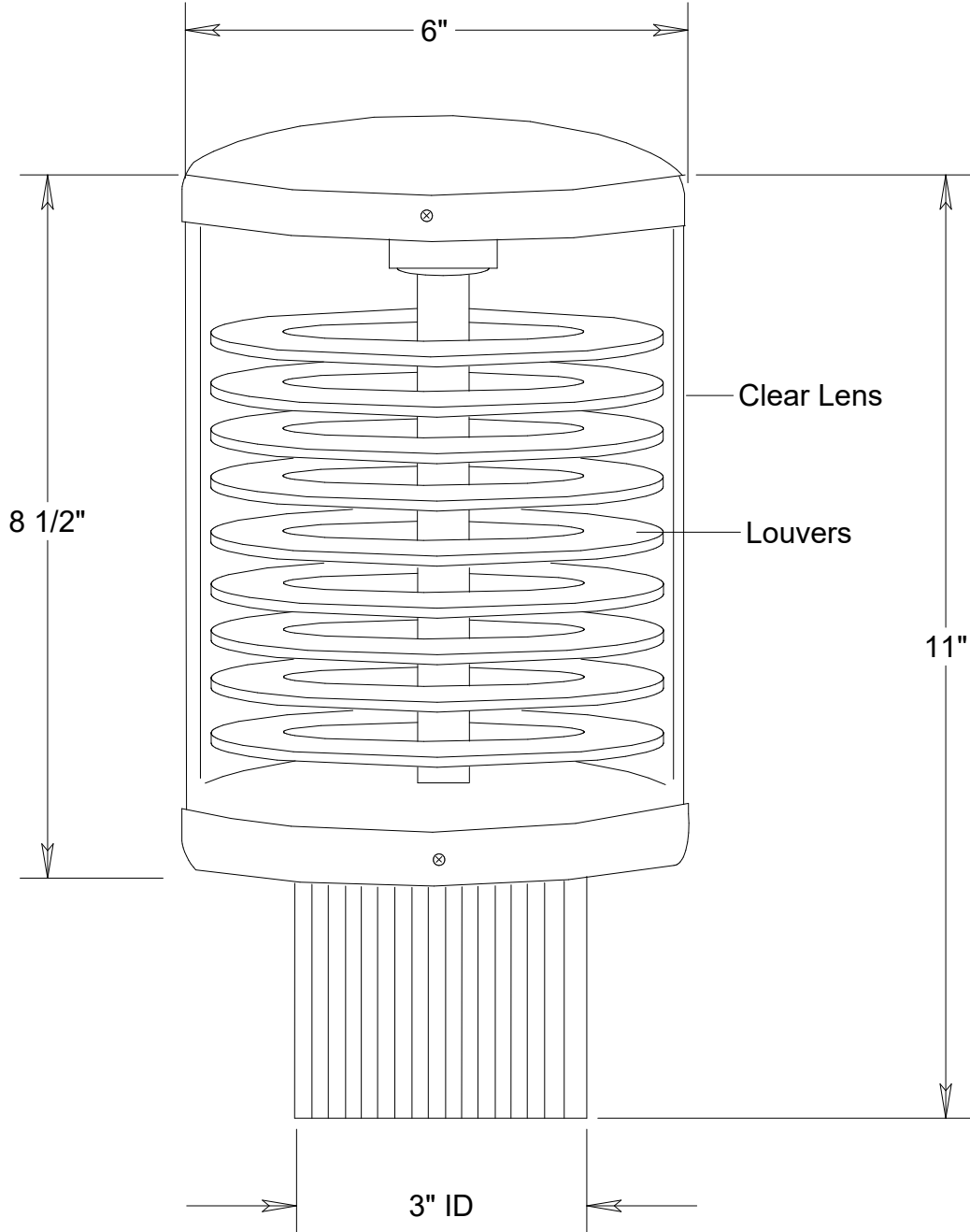


Primelite Manufacturing Corp

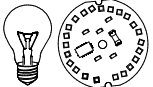
407 S Main St, Freeport, NY 11520

Phone: 516-868-4411 | Fax: 516-868-4609
 sales@primelite-mfg.com | www.primelite-mfg.com

PART # #1530/4	LAMP Incandescent LED	VOLTAGE 120 V	COLOR Powder Coated Paint
JOB NAME			TYPE Post Mount



Lamp: Incandescent | LED



1/100A | LED 16

Name Date

Drawn CB 5/19

Checked

ENG Appr.

MFR Appr.

QA

Weight

Post Mount #1530/4

11" Ht | 6" Diam | 3" Post Mount

Size
A

Drawing No.
0001

Rev
A

Scale

CAD File

Sheet

1 of 1

Revisions				
Zone	Rev	Description	Date	Approved

Construction: Aluminum
 Unless Otherwise Specified:
 Dimensions in Inches