

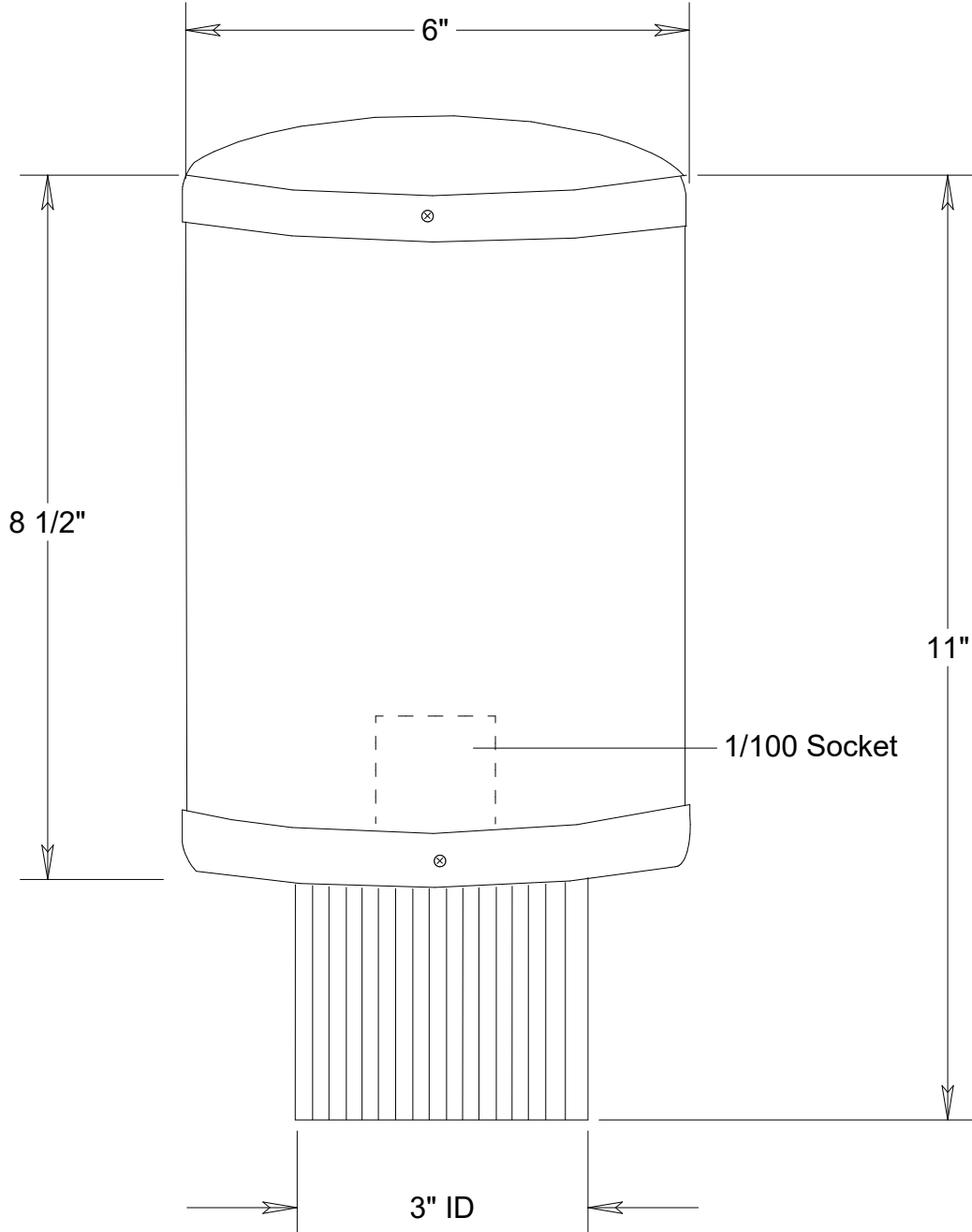


# Primelite Manufacturing Corp

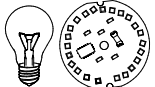
407 S Main St, Freeport, NY 11520

Phone: 516-868-4411 | Fax: 516-868-4609  
 sales@primelite-mfg.com | www.primelite-mfg.com

<b>PART #</b> #1530/3	<b>LAMP</b> Incandescent   LED	<b>VOLTAGE</b> 120 V	<b>COLOR</b> Powder Coated Paint
<b>JOB NAME</b>			<b>TYPE</b> Post Mount



Lamp: Incandescent | LED



1/100A | LED 16

Name Date

Drawn CB 5/19

Checked

ENG Appr.

MFR Appr.

QA

Weight

## Post Mount #1530/3

11" Ht | 6" Diam | 3" Post Mount

Size

**A**

Drawing No.

**0001**

Rev

**A**

Scale

CAD File

Sheet

**1 of 1**

Revisions				
Zone	Rev	Description	Date	Approved

Construction: Aluminum  
 Unless Otherwise Specified:  
 Dimensions in Inches