

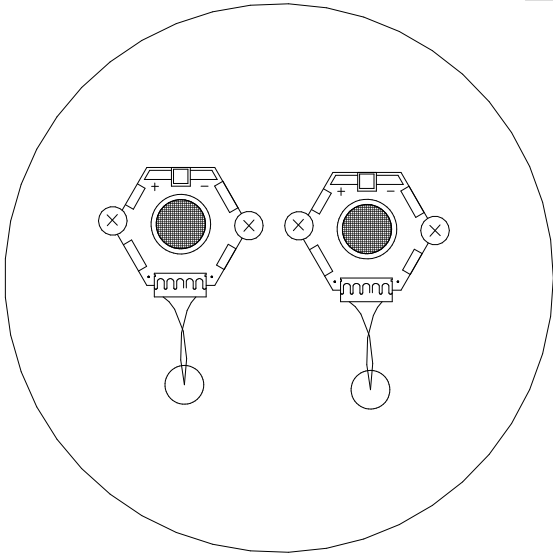
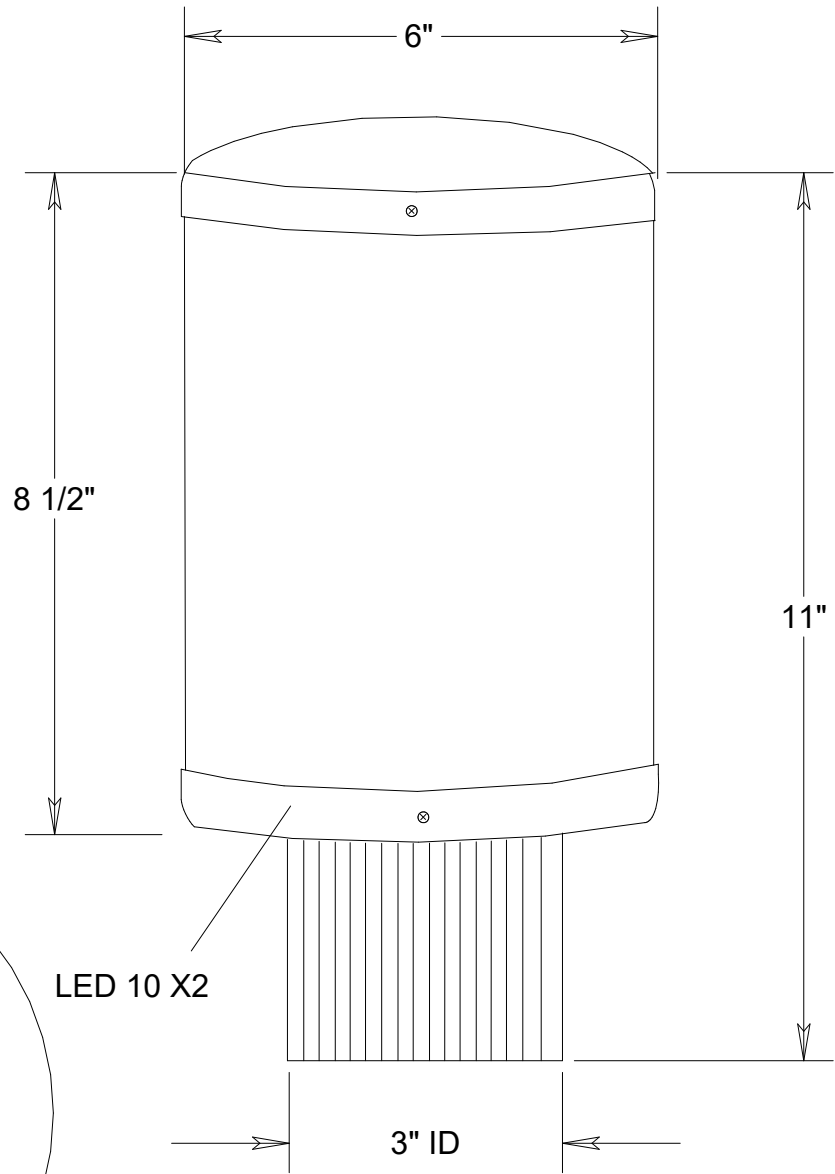


Primelite Manufacturing Corp

407 S Main St, Freeport, NY 11520

Phone: 516-868-4411 | Fax: 516-868-4609
 sales@primelite-mfg.com | www.primelite-mfg.com

PART # #1530/3	LAMP Incandescent LED	VOLTAGE 120 V	COLOR Powder Coated Paint
JOB NAME			TYPE Post Mount



Lamp: Incandescent | LED



LED 20 (2X LED 10)

Name

CB

Date

7/19

Post Mount #1530/3 LED 20

11" Ht | 6" Diam | 3" Post Mount

Construction: Aluminum

Unless Otherwise Specified:
Dimensions in Inches

Weight

Scale

CAD File

Sheet

1 of 1

Revisions				
Zone	Rev	Description	Date	Approved