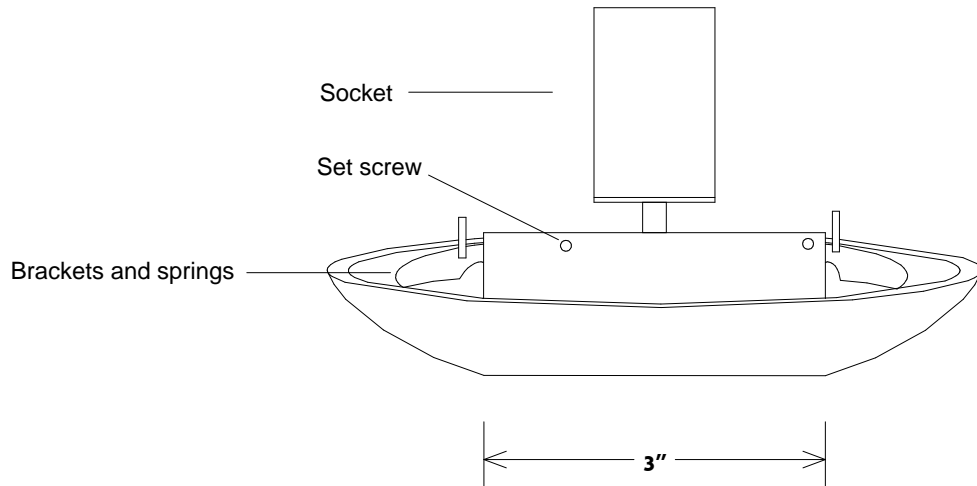


Contour Holder Detail



Unless Otherwise Specified: Dimensions in Inches Tolerances: Fractional ± Angular: Mach ± Bend ± Two Place Decimal ± Three Place Decimal ±		Name	Date	Primelite Mfg. Corp.		
	Drawn	lv	02/12/16			
	Checked					
	ENG Appr.					
	MFR Appr.					
				Size	Drawing No.	Rev
Acrylic with aluminum contour holder	Comments			A	0001	A
Lamp: 1-200	CAD Generated Drawing			Scale	1:3	CAD File
Do Not Scale Drawing	Bulb not included			Sheet	1 of 1	