

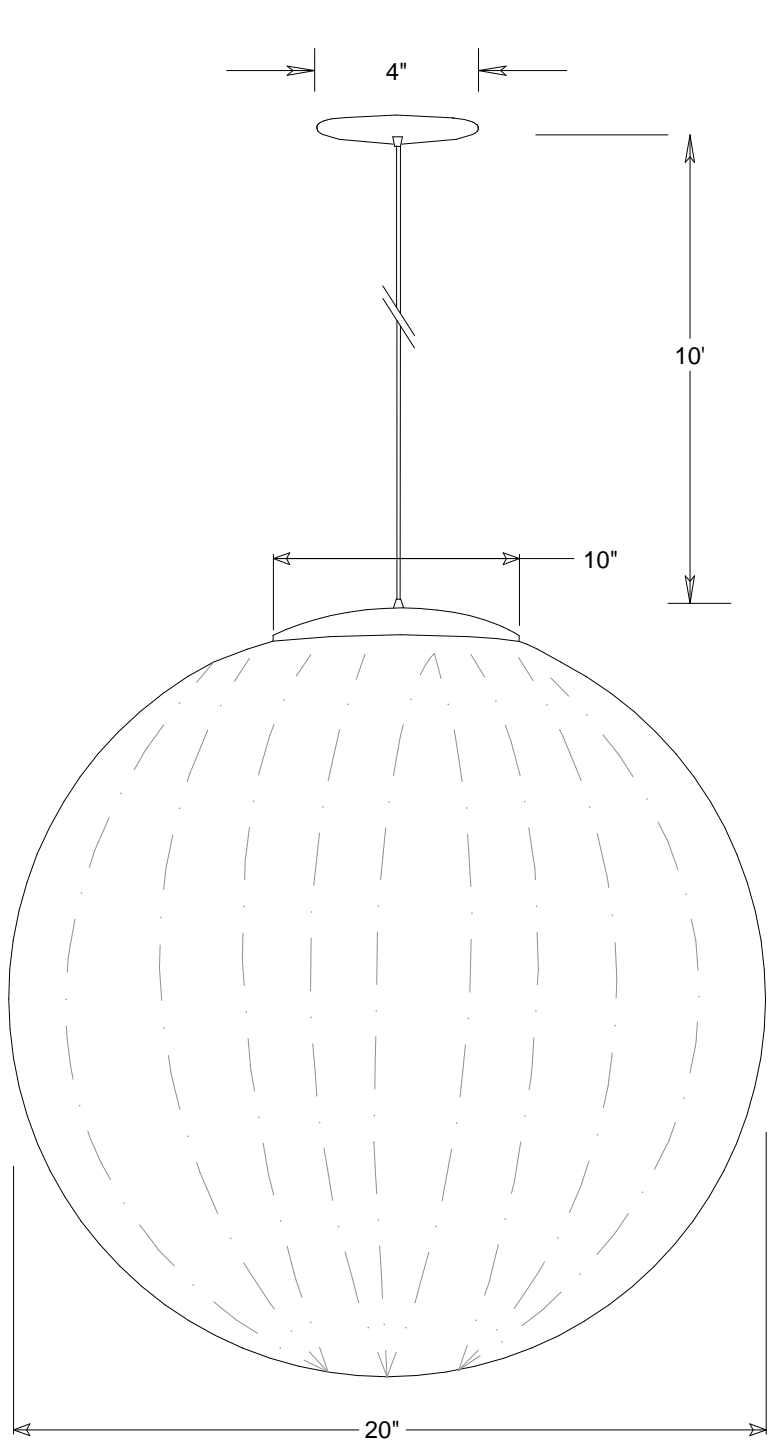


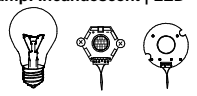
# Primelite Manufacturing Corp

407 S Main St, Freeport, NY 11520

Phone: 516-868-4411 | Fax: 516-868-4609  
 sales@primelite-mfg.com | www.primelite-mfg.com

<b>PART #</b> <b>#150</b>	<b>LAMP</b> Incandescent   LED	<b>VOLTAGE</b> 120V	<b>COLOR</b> Powder Coated Paint
<b>JOB NAME</b>			<b>TYPE</b> Prismatic Globe Pendant



Lamp: Incandescent | LED  
  
 1/200A | LED50 | LED90  
 (LED10x5) | (LED18x5)

Construction: Aluminum | Acrylic

Unless Otherwise Specified:  
 Dimensions in Inches

Name	Date	Globe Pendant #150		
Drawn iv	09/05/18	20" Prismatic Acrylic Globe   10' Vinyl Cord		
Checked		Size	Drawing No.	Rev
ENG Appr.		<b>A</b>	<b>0001</b>	<b>A</b>
MFR Appr.		Scale	CAD File	Sheet
QA				<b>1 of 1</b>
Comments				

Revisions				
Zone	Rev	Description	Date	Approved