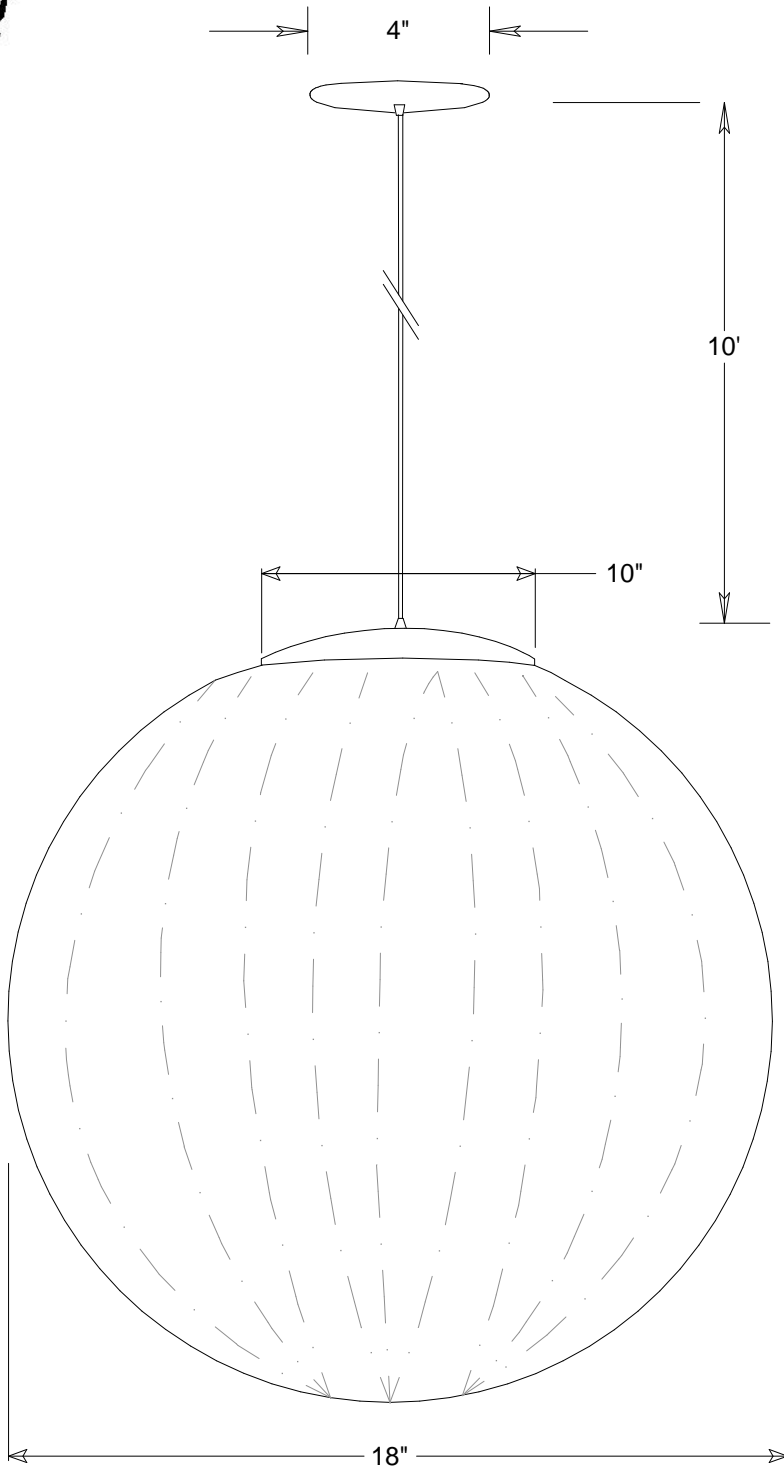


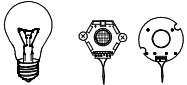


Primelite Manufacturing Corp

407 S Main St, Freeport, NY 11520
 Phone: 516-868-4411 | Fax: 516-868-4609
 sales@primelite-mfg.com | www.primelite-mfg.com

PART # #148	LAMP Incandescent LED	VOLTAGE 120V	COLOR Powder Coated Paint
JOB NAME			TYPE Prismatic Globe Pendant



Lamp: Incandescent | LED

 1/200A | LED50 | LED90
 (LED10x5) | (LED18x5)

Construction: Aluminum | Acrylic
 Unless Otherwise Specified:
 Dimensions in Inches

Name	Date
Drawn iv	09/05/18
Checked	
ENG Appr.	
MFR Appr.	
QA	
Comments	

Globe Pendant #148		
18" Prismatic Acrylic Globe 10' Vinyl Cord		
Size A	Drawing No. 0001	Rev A
Scale	CAD File	Sheet 1 of 1

Revisions				
Zone	Rev	Description	Date	Approved