

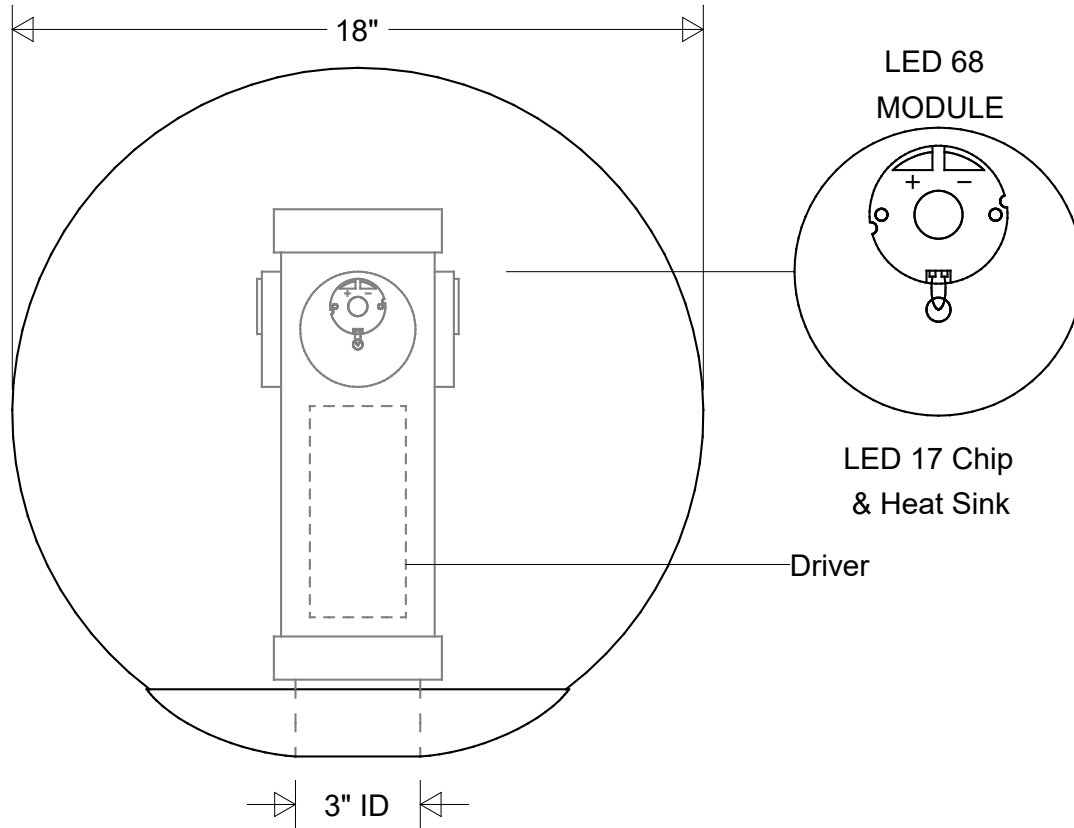


# Primelite Manufacturing Corp

407 S Main St, Freeport, NY 11520

Phone: 516-868-4411 | Fax: 516-868-4609  
 sales@primelite-mfg.com | www.primelite-mfg.com

<b>PART #</b> #1478 LED 68	<b>LAMP</b> Built-In LED	<b>VOLTAGE</b> 120 V	<b>COLOR</b> Powder Coated Paint
<b>JOB NAME</b>			<b>TYPE</b> Post Light



Lamp: LED 68 (LED 17 Chip X 4)  
 175 W MH Equivalent  
 3K = 7712 Lumens  
 4K = 8552 Lumens



	<b>Initials</b>	<b>Date</b>
<b>Drawn</b>	CB	04/2022
<b>Checked</b>		
<b>ENG Appr.</b>		
<b>MFR Appr.</b>		
<b>QA</b>		

## Post Light #1478 LED 68

18" Dia | Fits 3" OD Round Post  
 White Polyethylene Globe

<b>Size</b>	<b>Drawing No.</b>	<b>Rev</b>
<b>A</b>	<b>0001</b>	<b>A</b>

Revisions				
Zone	Rev	Description	Date	Appr

**Construction:**  
 Aluminum | Polyethylene

**Unless Otherwise Specified:**  
 Dimensions in Inches

**Weight:**

**Scale**      **CAD File**      **Sheet**  
**1 of 1**