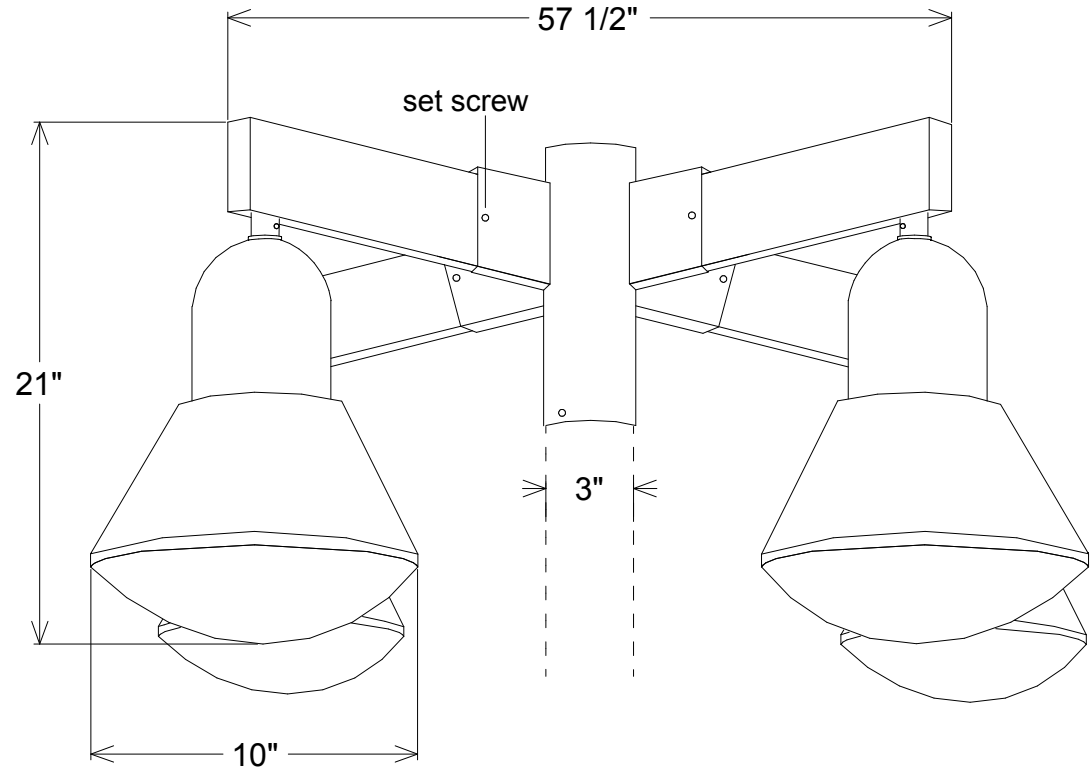


Top View



Unless Otherwise Specified: Dimensions in Inches Tolerances: Fractional ± Angular: Mach ± Bend ± Two Place Decimal ± Three Place Decimal ±		Name	Date	Primelite Mfg. Corp. 1373/10 T4				
	Drawn	T.A.R.	05/21/10					
	Checked							
	ENG Appr.							
	MFR Appr.							
	QA			Size Drawing No. Rev A 0001 A				
Comments			Scale 1:7 CAD File Sheet 1 of 1					
CAD Generated Drawing Do Not Manually Update								
Construction: Acrylic, Aluminum								
Lamp: 4-150A								