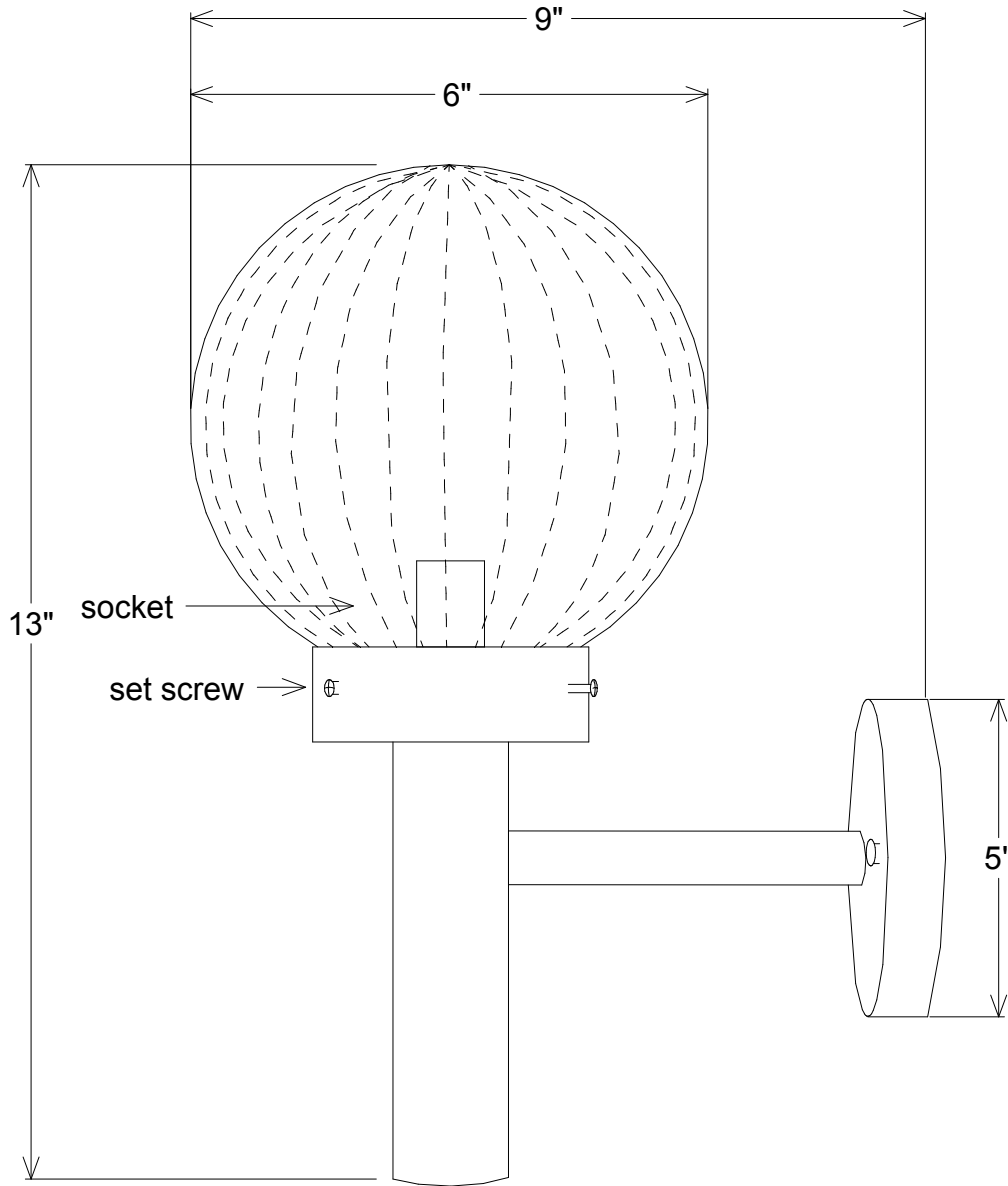


Revisions				
Zone	Rev	Description	Date	Approved



Unless Otherwise Specified: Dimensions in Inches Tolerances: Fractional ± Angular: Mach ± Bend ± Two Place Decimal ± Three Place Decimal ±	Name	Date	Primelite Mfg. Corp. 1361 Acrylic Prismatic		
	Drawn	T.A.R.			09/09/10
	Checked				
	ENG Appr.				
	MFR Appr.				
QA			Size Drawing No. Rev A 0001 A		
Construction: All Aluminum	Comments		Scale CAD File Sheet 1:2 1 of 1		
Lamp: 1-60A	CAD Generated Drawing Do Not Manually Update				