

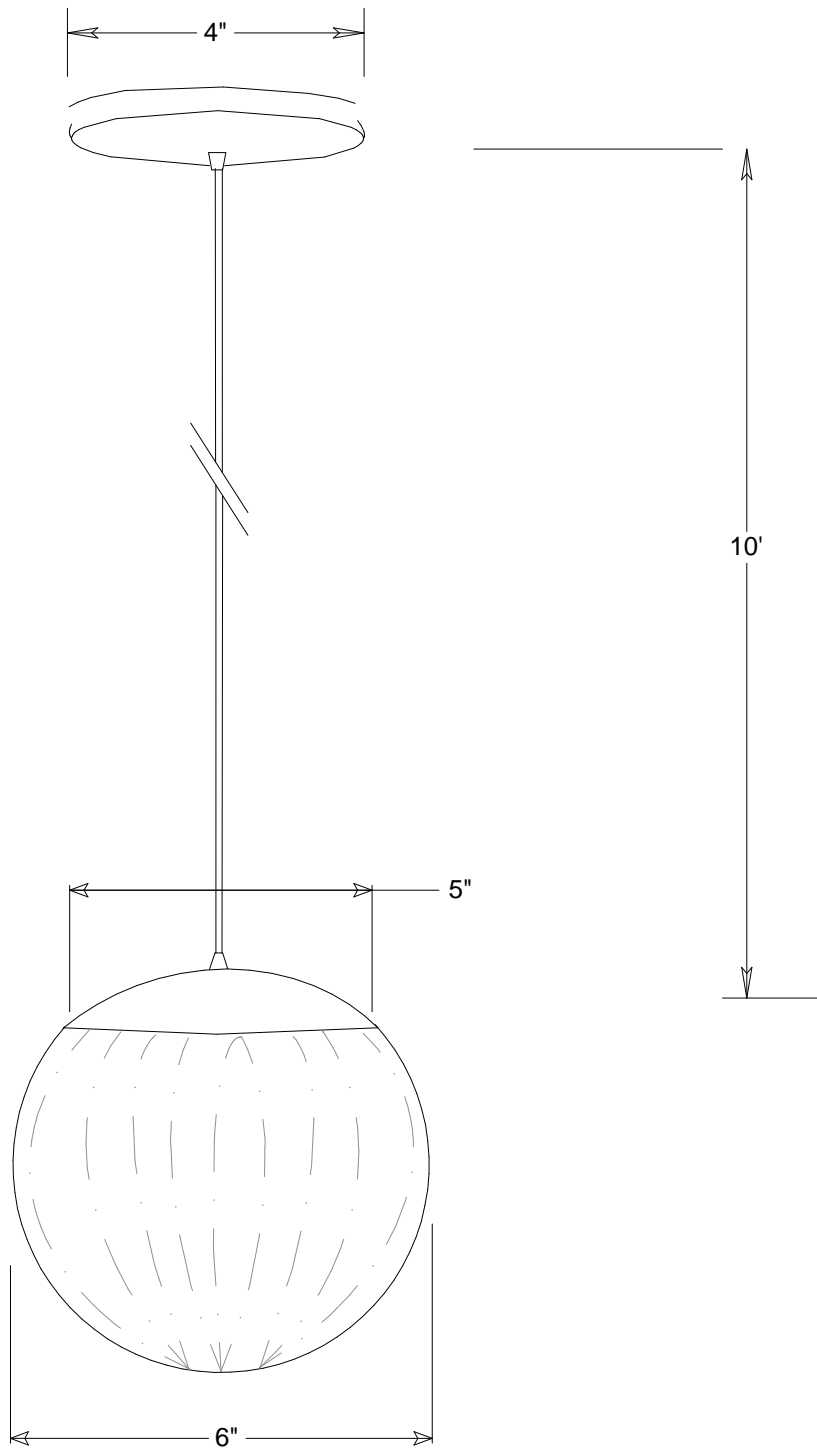


Primelite Manufacturing Corp

407 S Main St, Freeport, NY 11520

Phone: 516-868-4411 | Fax: 516-868-4609
 sales@primelite-mfg.com | www.primelite-mfg.com

PART # #136	LAMP Incandescent	VOLTAGE 120V	COLOR Powder Coated Paint
JOB NAME			TYPE Prismatic Globe Pendant



Lamp: Incandescent



1/60A

Name	Date
iv	09/06/18

Drawn		
-------	--	--

Checked		
---------	--	--

ENG Appr.		
-----------	--	--

MFR Appr.		
-----------	--	--

QA		
----	--	--

Comments		
----------	--	--

Globe Pendant #136

6" Prismatic Acrylic Globe | 10' Vinyl Cord

Size	Drawing No.	Rev
A	0001	A

Scale	CAD File	Sheet
		1 of 1

Revisions				
Zone	Rev	Description	Date	Approved