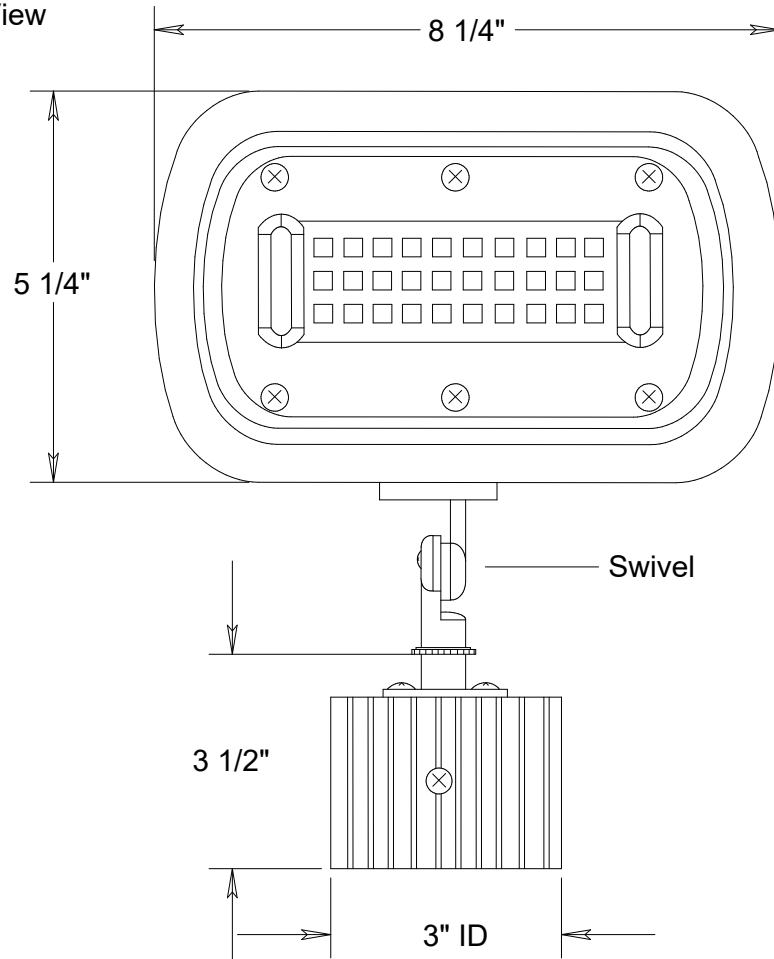


# Primelite Manufacturing Corp

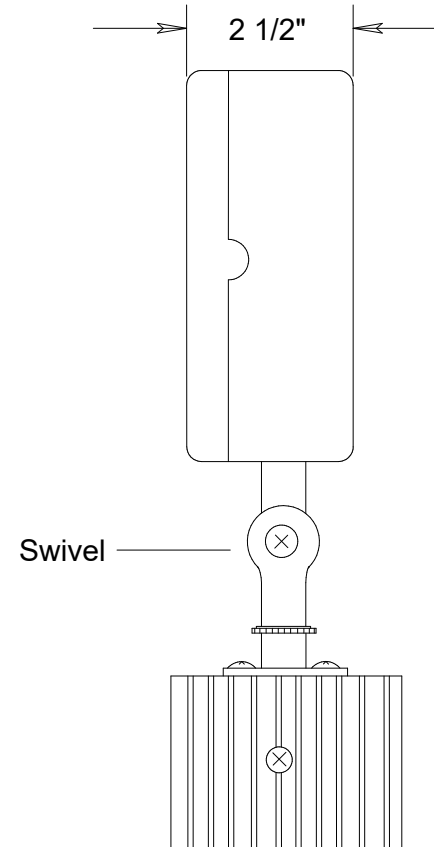
407 S Main St, Freeport, NY 11520  
 Phone: 516-868-4411 | Fax: 516-868-4609  
 sales@primelite-mfg.com | www.primelite-mfg.com

PART # #1350	LAMP LED	VOLTAGE 120 V	COLOR Powder Coated Paint
JOB NAME			TYPE LED Flood Light

Front View



Side View



Lamp: Incandescent   LED  LED 30	Name	Date	<b>LED Flood Light #1350</b>			
	Drawn	CB				7/19
	Checked			8 1/4" L   5 1/4" W   2 1/2" D   30 W LED Fits 3" Post   180 Degree Swivel		
	ENG Appr.					
Construction: Aluminum	MFR Appr.		Size	Drawing No.	Rev	
Unless Otherwise Specified: Dimensions in Inches	QA		<b>A</b>	<b>0001</b>	<b>A</b>	
	Weight		Scale	CAD File	Sheet	
					<b>1 of 1</b>	

Revisions				
Zone	Rev	Description	Date	Approved