

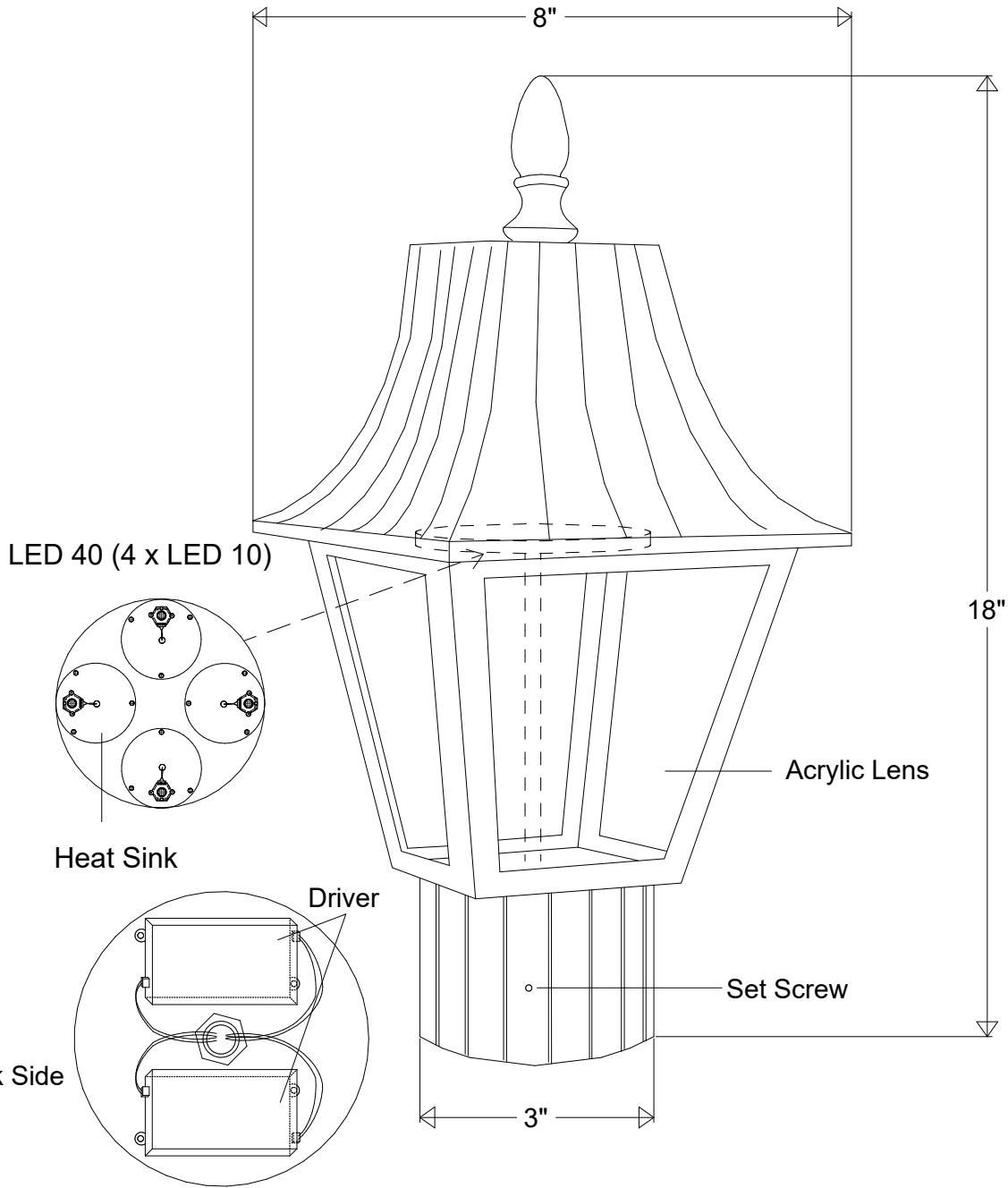


Primelite Manufacturing Corp

407 S Main St, Freeport, NY 11520

Phone: 516-868-4411 | Fax: 516-868-4609
 sales@primelite-mfg.com | www.primelite-mfg.com

PART # #1333	LAMP Incandescent LED	VOLTAGE 120 V	COLOR Powder Coated Paint
JOB NAME			TYPE Post Light



Lamp: Incandescent LED LED 40 (4 X LED 10)	Name		Date		Post Light #1333 LED 40 8" W 18" H Acrylic Lens Smoke White Clear Frosted						
	Drawn	CB	11/19								
	Checked										
	ENG Appr.				Size	Drawing No.	Rev	Revisions			
MFR Appr.				A	0001	A	Zone	Rev	Description	Date	Approved
QA				Scale	CAD File	Sheet					
Unless Otherwise Specified: Dimensions in Inches		Weight									
								1 of 1			