

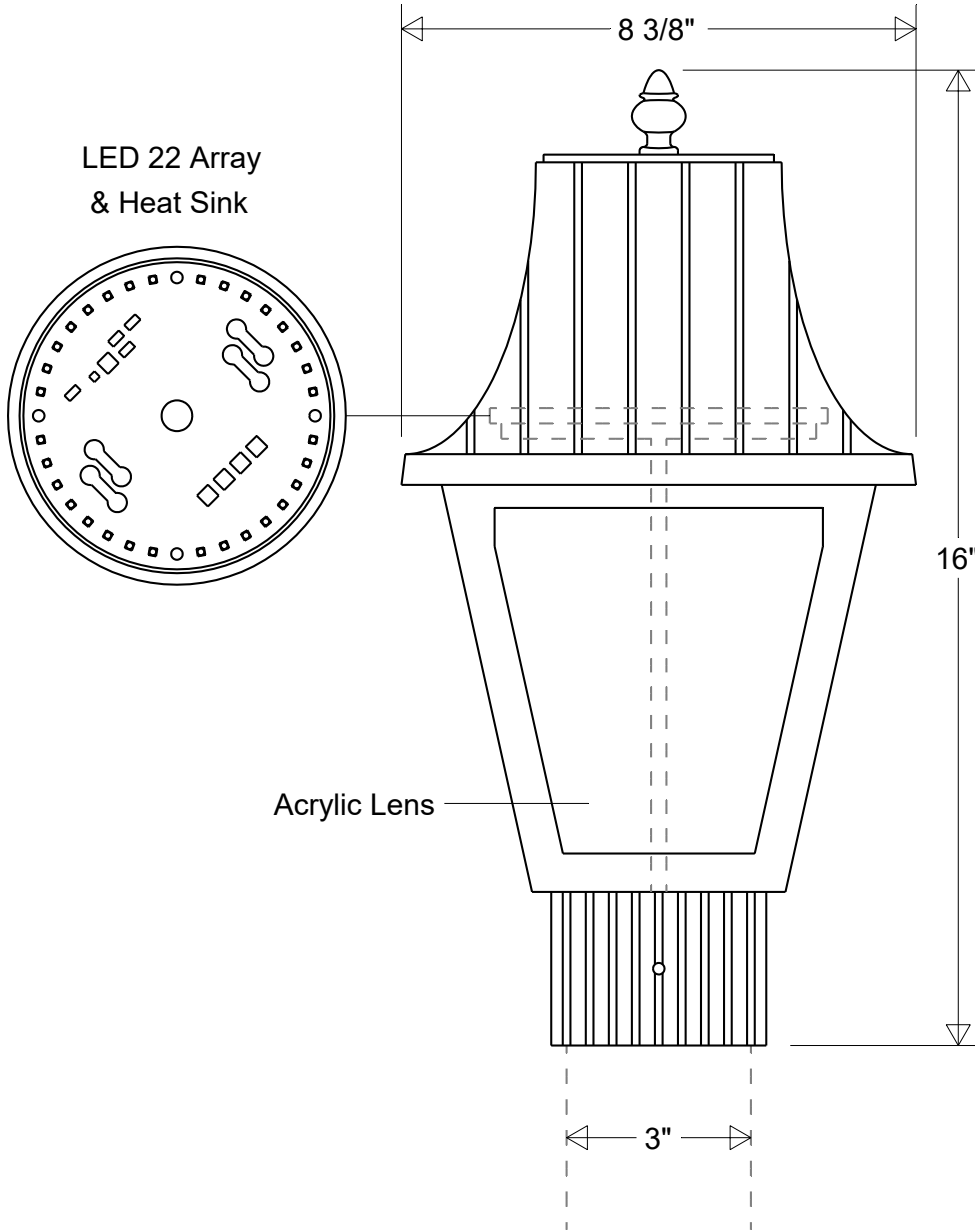


Primelite Manufacturing Corp.

407 S Main St, Freeport, NY 11520
 Phone: (516) 868-4411 | Fax: (516) 868-4609
 sales@primelite-mfg.com | www.primelite-mfg.com

PROUDLY MADE IN THE USA SINCE 1962!
"SPECIALTIES ARE OUR SPECIALTY!"

Job Info



#1333 LED 22

Lamp: 22 W LED
 3K: 1950 Lumens
 4K: 2130 Lumens

Finish:
 29 Oven Baked
 Powder Coated Paints

Drawn:
 CB
 06/2024

Scale:
 1/0.32

Approvals

8 3/8" W | 16" H | Fits 3" OD Round Mounts
 Lens: Smoke (/1) | White (/3) | Clear (/4) | Frost (/5)

Voltage:
 120 V

Material:
 Aluminum
 Acrylic Lens

Note:
 All dimensions are nominal.
 Actual dimensions may vary.