

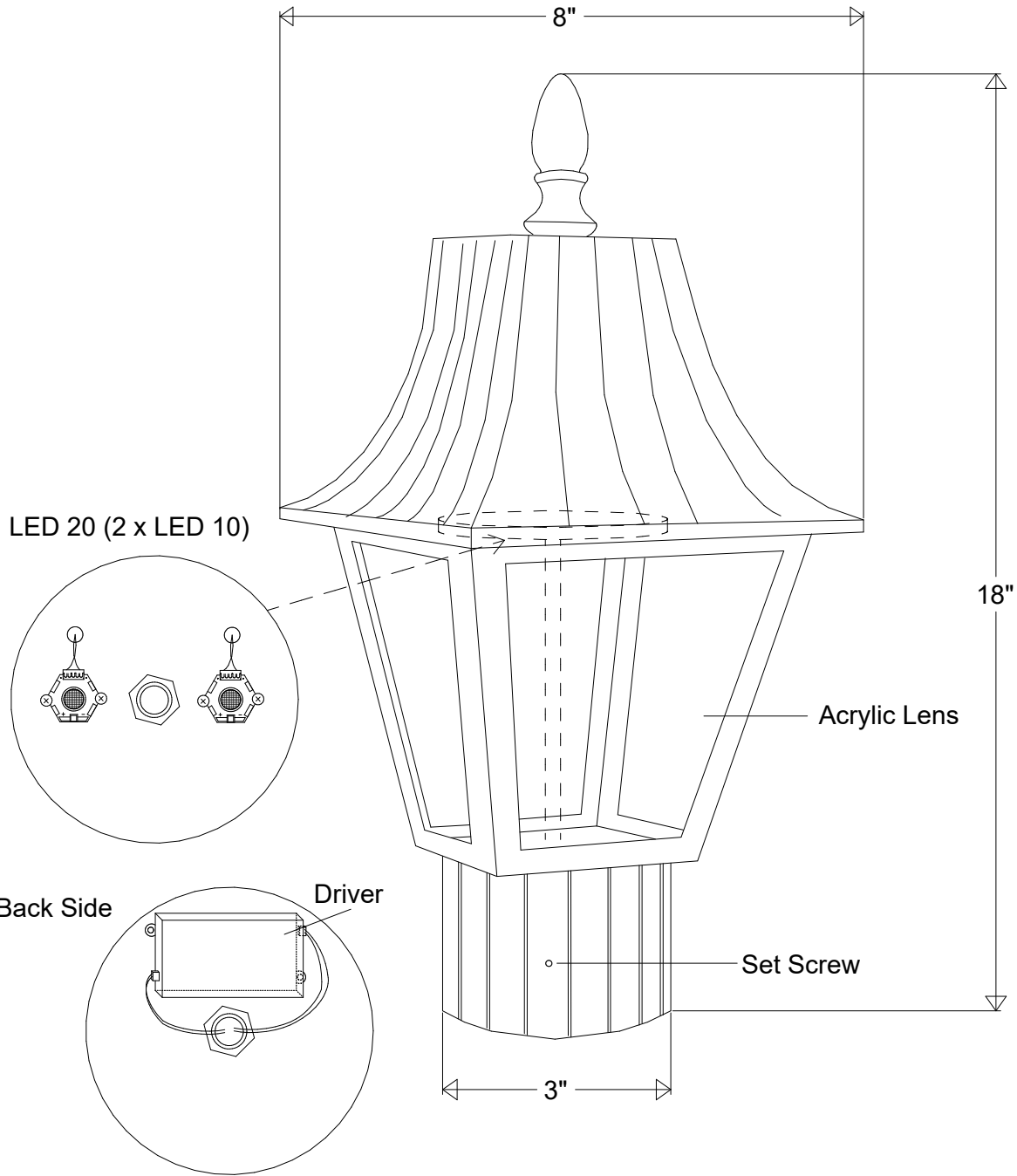


Primelite Manufacturing Corp

407 S Main St, Freeport, NY 11520

Phone: 516-868-4411 | Fax: 516-868-4609
 sales@primelite-mfg.com | www.primelite-mfg.com

PART # #1333	LAMP Incandescent LED	VOLTAGE 120 V	COLOR Powder Coated Paint
JOB NAME			TYPE Post Light



Lamp: Incandescent LED LED 20 (2 X LED 10)	Name Date			Post Light #1333 LED 20 8" W 18" H Acrylic Lens Smoke White Clear Frosted				Revisions				
	Drawn CB 11/19	Checked	ENG Appr.					Zone	Rev	Description	Date	Approved
	MFR Appr.	QA	Size Drawing No. Rev	A 0001 A								
	Construction: Aluminum Acrylic Unless Otherwise Specified: Dimensions in Inches	Weight	Scale CAD File Sheet	1 of 1								