

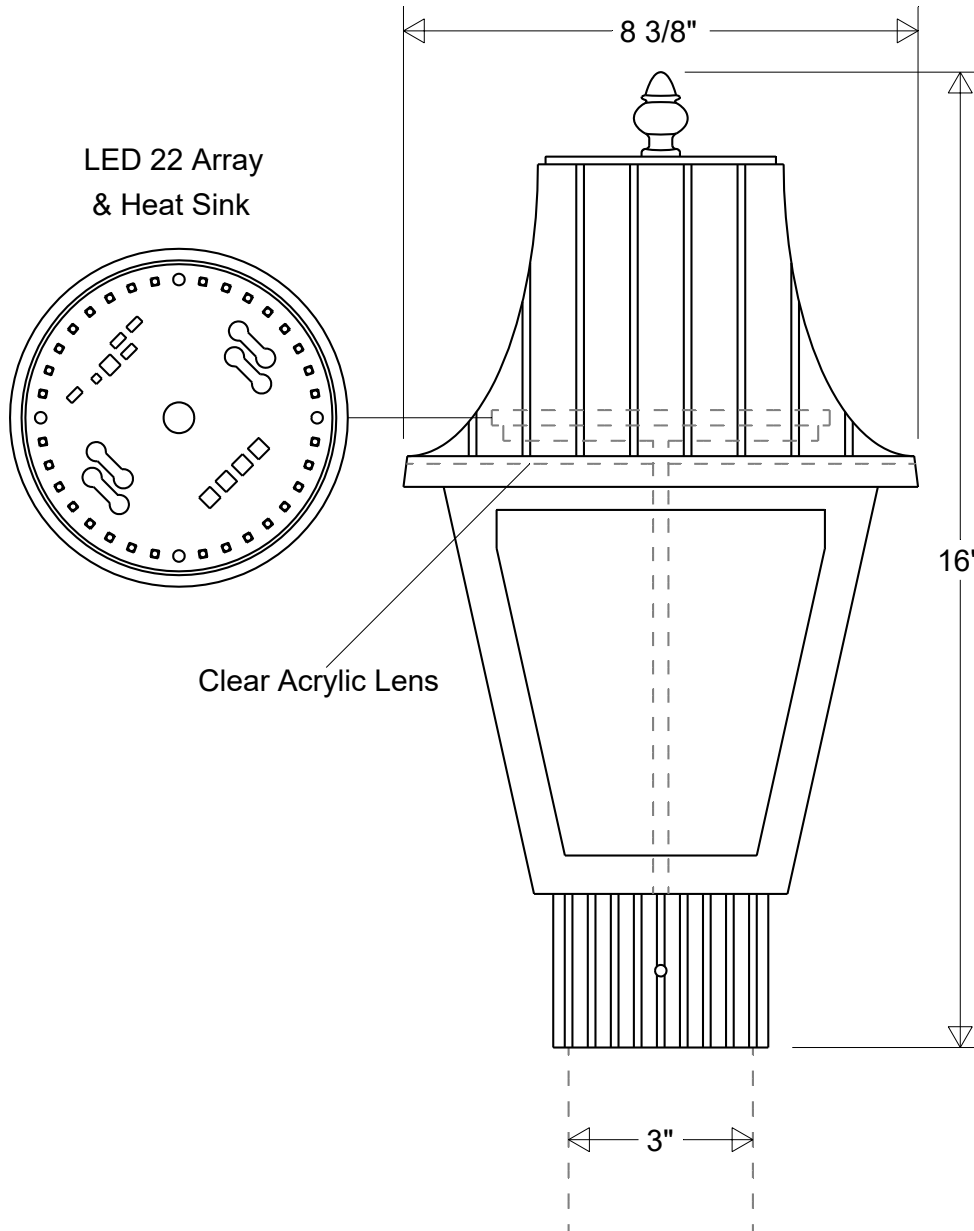


# Primelite Manufacturing Corp.

407 S Main St, Freeport, NY 11520  
 Phone: (516) 868-4411 | Fax: (516) 868-4609  
 sales@primelite-mfg.com | www.primelite-mfg.com

**PROUDLY MADE IN THE USA SINCE 1962!**  
**"SPECIALTIES ARE OUR SPECIALTY!"**

Job Info



## #1333 DS LED 22

8 3/8" W | 16" H | Fits 3" OD Round Mounts  
 Clear Acrylic Lens | Dark Sky Friendly

**Lamp: 22 W LED**  
 3K: 1950 Lumens  
 4K: 2130 Lumens

**Voltage:**  
 120 V

**Finish:**  
 29 Oven Baked  
 Powder Coated Paints

**Material:**  
 Aluminum  
 Acrylic Lens

**Drawn:**  
 CB  
 06/2024

**Note:**  
 All dimensions are nominal.  
 Actual dimensions may vary.

**Scale:**  
 1/0.32

Approvals