

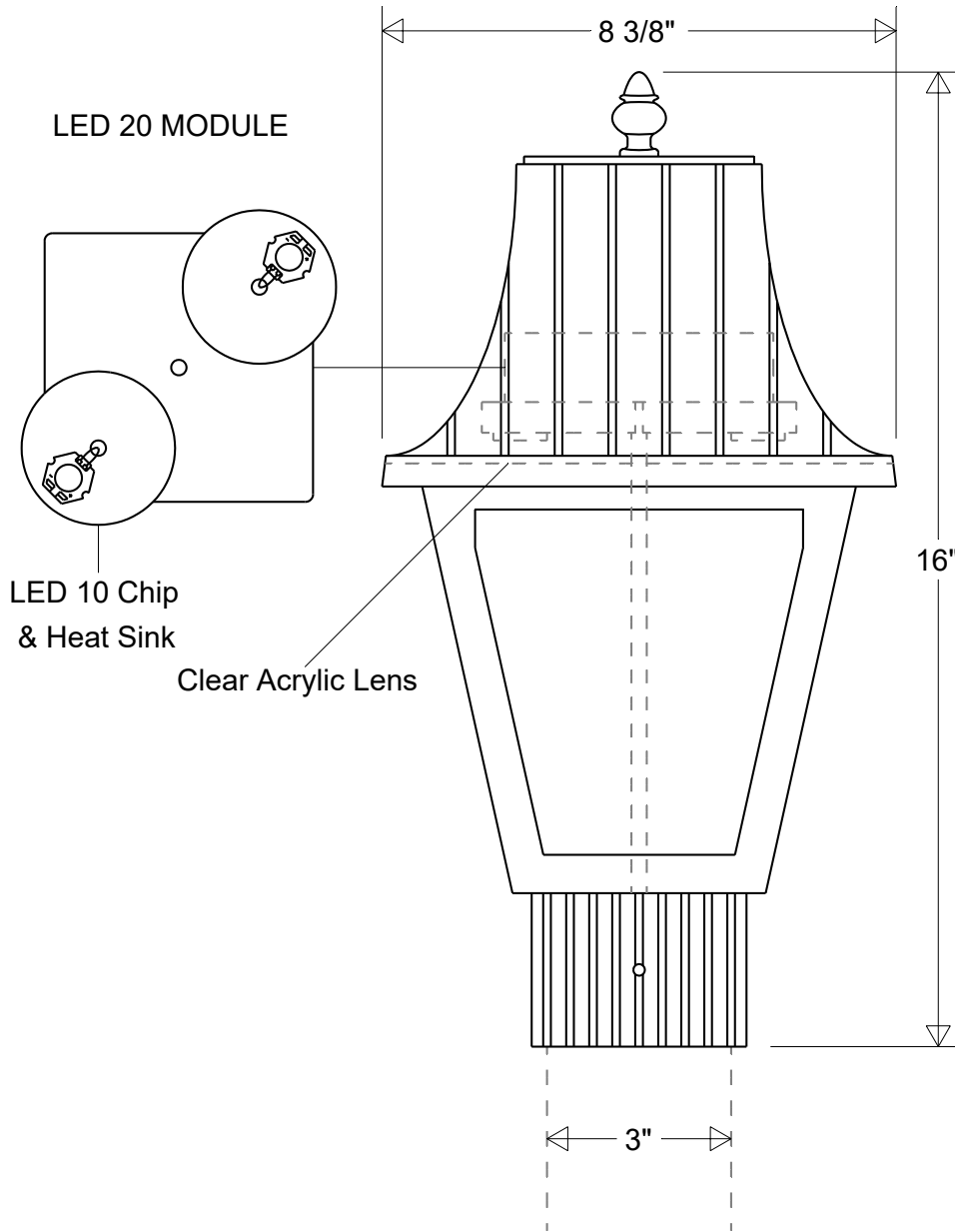


Primelite Manufacturing Corp.

407 S Main St, Freeport, NY 11520
 Phone: (516) 868-4411 | Fax: (516) 868-4609
 sales@primelite-mfg.com | www.primelite-mfg.com

PROUDLY MADE IN THE USA SINCE 1962!
"SPECIALTIES ARE OUR SPECIALTY!"

Job Info



#1333 DS LED 20

Lamp: 20 W LED
 3K: 3282 Lumens
 4K: 3378 Lumens

Finish:
 29 Oven Baked
 Powder Coated Paints

Drawn: CB
Scale: 1/0.32
 06/2024

Approvals

8 3/8" W | 16" H | Fits 3" OD Round Mounts
 Clear Acrylic Lens | Dark Sky Friendly

Voltage:
 120 V

Material:
 Aluminum
 Acrylic Lens

Note:
 All dimensions are nominal.
 Actual dimensions may vary.