



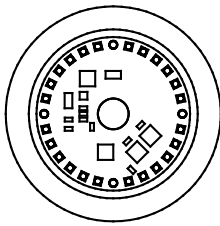
Primelite Manufacturing Corp

407 S Main St, Freeport, NY 11520

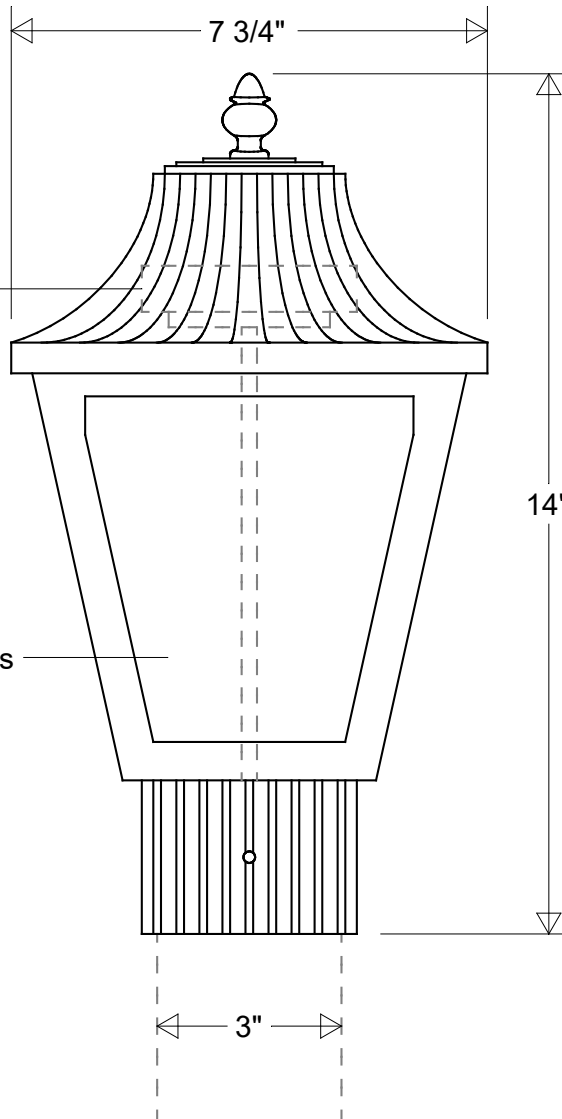
Phone: 516-868-4411 | Fax: 516-868-4609
 sales@primelite-mfg.com | www.primelite-mfg.com

| | | | |
|-------------------------------|-----------------------------|-------------------------|-------------------------------------|
| PART # #1332 LED 12 | LAMP Built-In LED | VOLTAGE 120 V | COLOR Powder Coated Paint |
| JOB NAME | | | TYPE Post Light |

LED 12 Array
& Heat Sink



Acrylic Lens



Lamp: LED 12 Array
 60 W Inc Equivalent
 3K = 1140 Lumens
 4K = 1280 Lumens



| | | |
|------------------|-----------------|-------------|
| | Initials | Date |
| Drawn | CB | 02/2023 |
| Checked | | |
| ENG Appr. | | |
| MFR Appr. | | |
| QA | | |

#1332 LED 12

7 3/4" W | 14" H | Fits 3" OD Round Posts & Piers
 Lens: Smoke(/1) | White(/3) | Clear(/4) | Frosted(/5)

| | | |
|-------------|--------------------|------------|
| Size | Drawing No. | Rev |
| A | 0001 | A |

Unless Otherwise Specified:
 Dimensions in Inches

| | | | |
|----------------|--------------|-----------------|---------------|
| Weight: | Scale | CAD File | Sheet |
| | | | 1 of 1 |

| Revisions | | | | |
|-----------|-----|-------------|------|------|
| Zone | Rev | Description | Date | Appr |
| | | | | |
| | | | | |
| | | | | |