

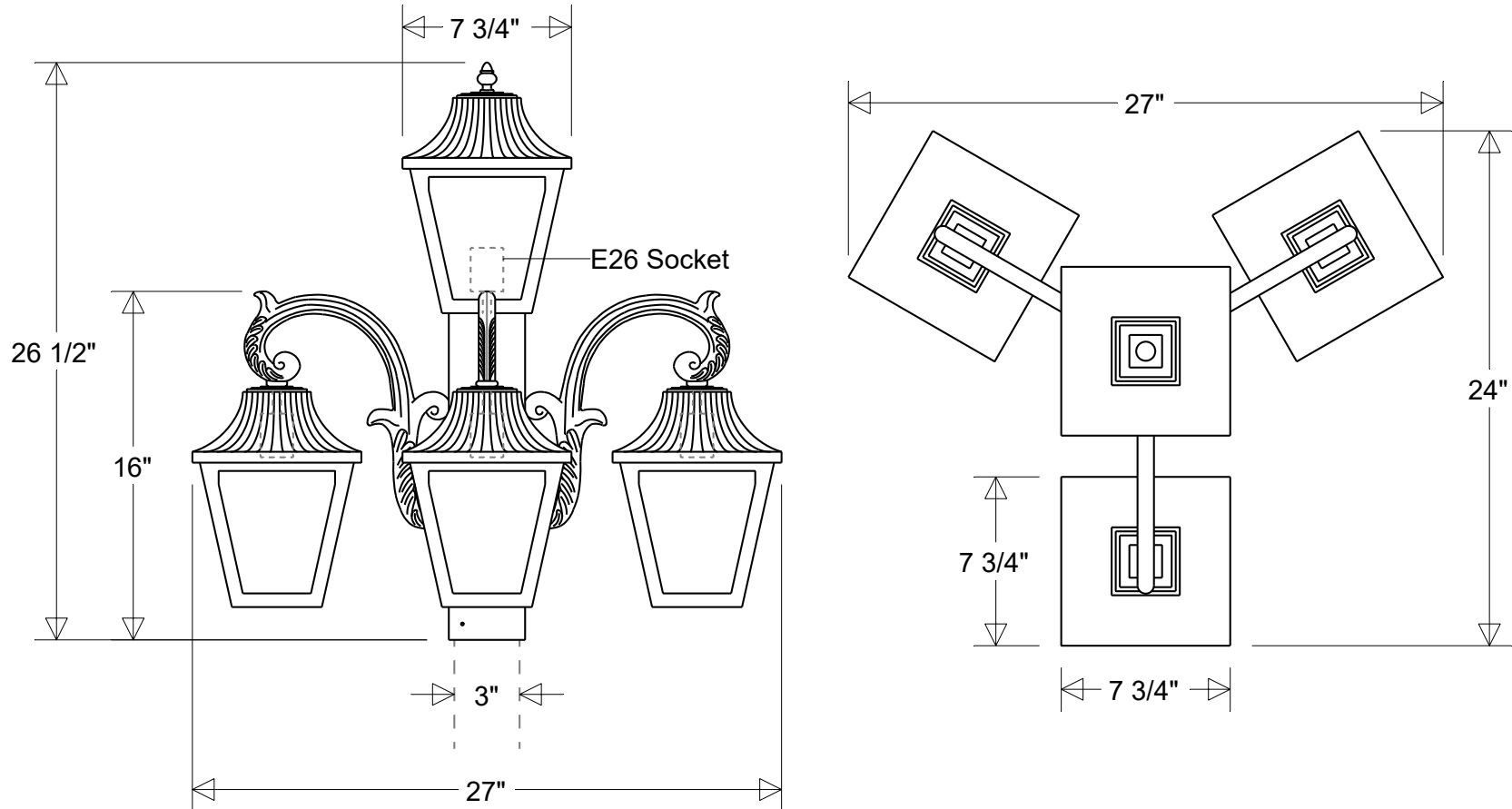


Primelite Manufacturing Corp.

407 S Main St, Freeport, NY 11520
 Phone: (516) 868-4411 | Fax: (516) 868-4609
 sales@primelite-mfg.com | www.primelite-mfg.com

PROUDLY MADE IN THE USA SINCE 1962!
"SPECIALTIES ARE OUR SPECIALTY!"

Job Info



#1332 CAT4A

27" W | 26 1/2" H | Fits 3" OD Round Mounts
 Lens: Smoke (/1) | White (/3) | Clear (/4) | Frost (/5)

Lamp: E26 Socket	Finish:	Drawn:	Scale:	Approvals
Max Wattage: 150 W Each	29 Oven Baked	CB	1/8	
Number of Sockets: 4	Powder Coated Paints	04/2024		
Voltage:	Material:	Note:		
120 V	Aluminum	All dimensions are nominal.		
	Acrylic Lens	Actual dimensions may vary.		