

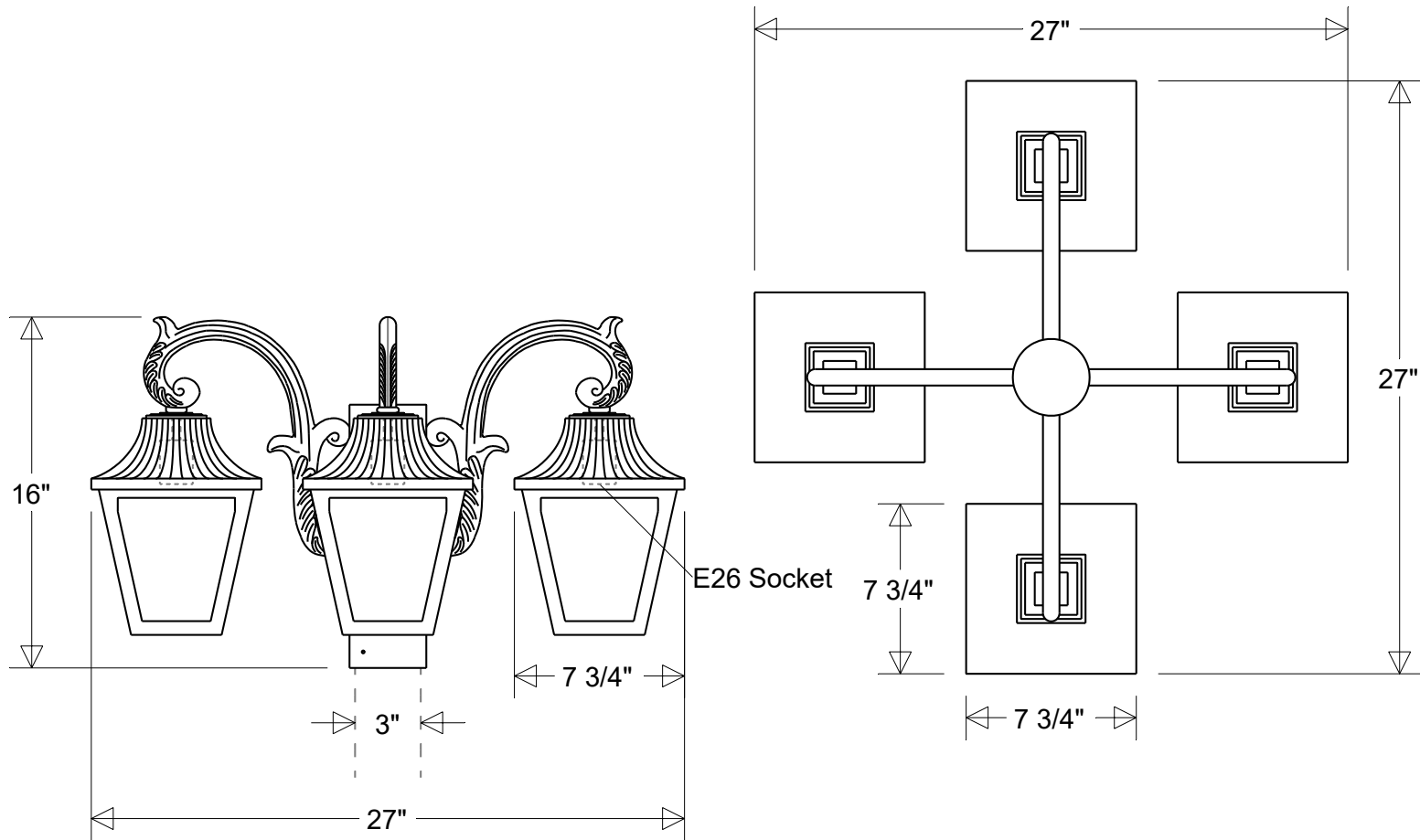


Primelite Manufacturing Corp.

407 S Main St, Freeport, NY 11520
 Phone: (516) 868-4411 | Fax: (516) 868-4609
 sales@primelite-mfg.com | www.primelite-mfg.com

PROUDLY MADE IN THE USA SINCE 1962!
"SPECIALTIES ARE OUR SPECIALTY!"

Job Info



#1332 CAT4

27" W | 16" H | Fits 3" OD Round Mounts
 Lens: Smoke (/1) | White (/3) | Clear (/4) | Frost (/5)

Lamp: E26 Socket	Finish: 29 Oven Baked	Drawn: CB	Scale: 1/8	Approvals
Max Wattage: 150 W Each	Powder Coated Paints	04/2024		
Number of Sockets: 4	Voltage: 120 V	Material: Aluminum	Note: All dimensions are nominal. Actual dimensions may vary.	
		Acrylic Lens		