

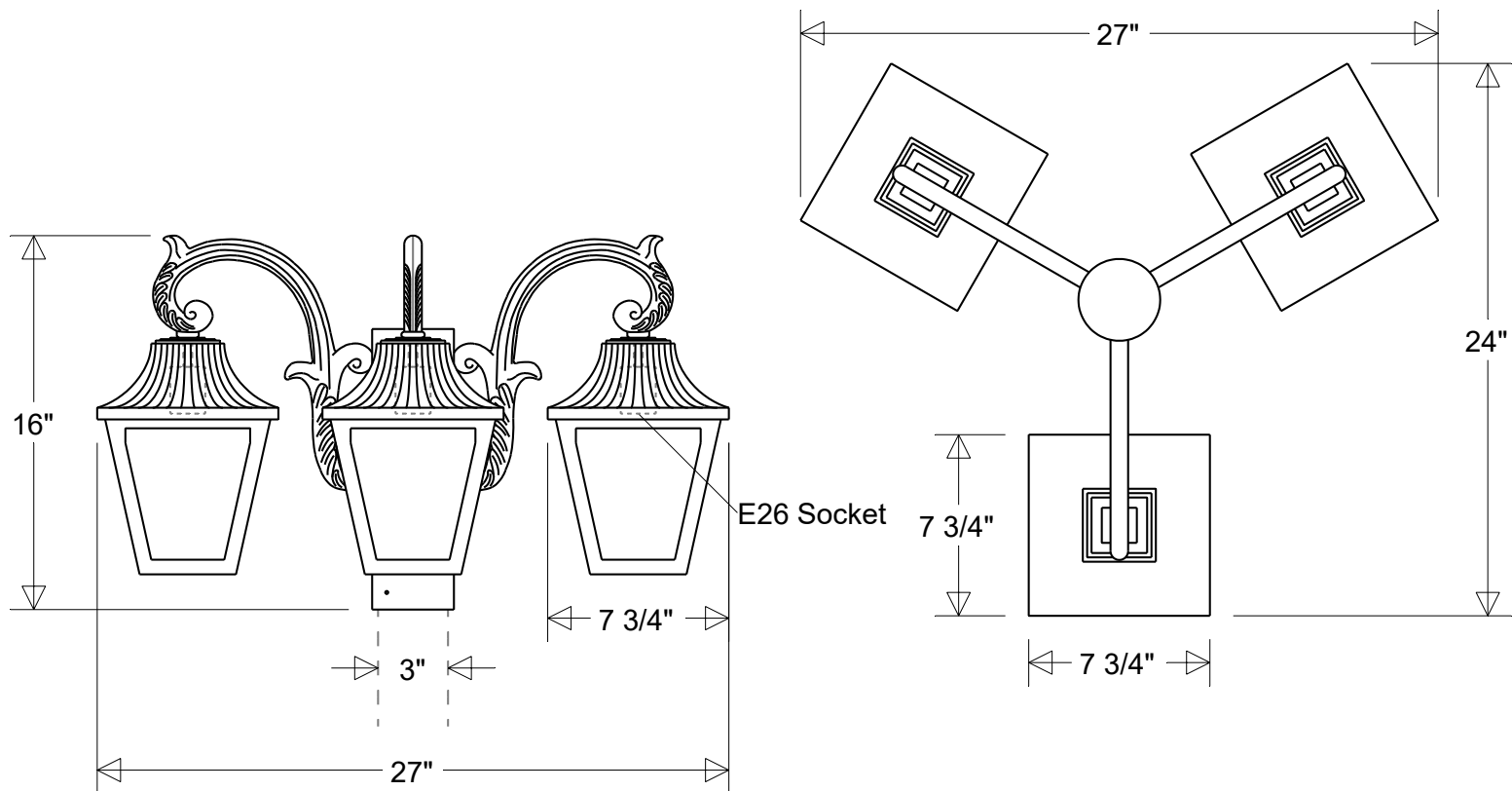


# Primelite Manufacturing Corp.

407 S Main St, Freeport, NY 11520  
 Phone: (516) 868-4411 | Fax: (516) 868-4609  
 sales@primelite-mfg.com | www.primelite-mfg.com

**PROUDLY MADE IN THE USA SINCE 1962!**  
**"SPECIALTIES ARE OUR SPECIALTY!"**

Job Info



## #1332 CAT3A

27" W | 16" H | Fits 3" OD Round Mounts  
 Lens: Smoke (/1) | White (/3) | Clear (/4) | Frost (/5)

<b>Lamp: E26 Socket</b>	<b>Finish:</b>	<b>Drawn:</b>	<b>Scale:</b>	<b>Approvals</b>
Max Wattage: 150 W Each	29 Oven Baked	CB	1/8	
Number of Sockets: 3	Powder Coated Paints	04/2024		
<b>Voltage:</b>	<b>Material:</b>	<b>Note:</b>		
120 V	Aluminum	All dimensions are nominal.		
	Acrylic Lens	Actual dimensions may vary.		