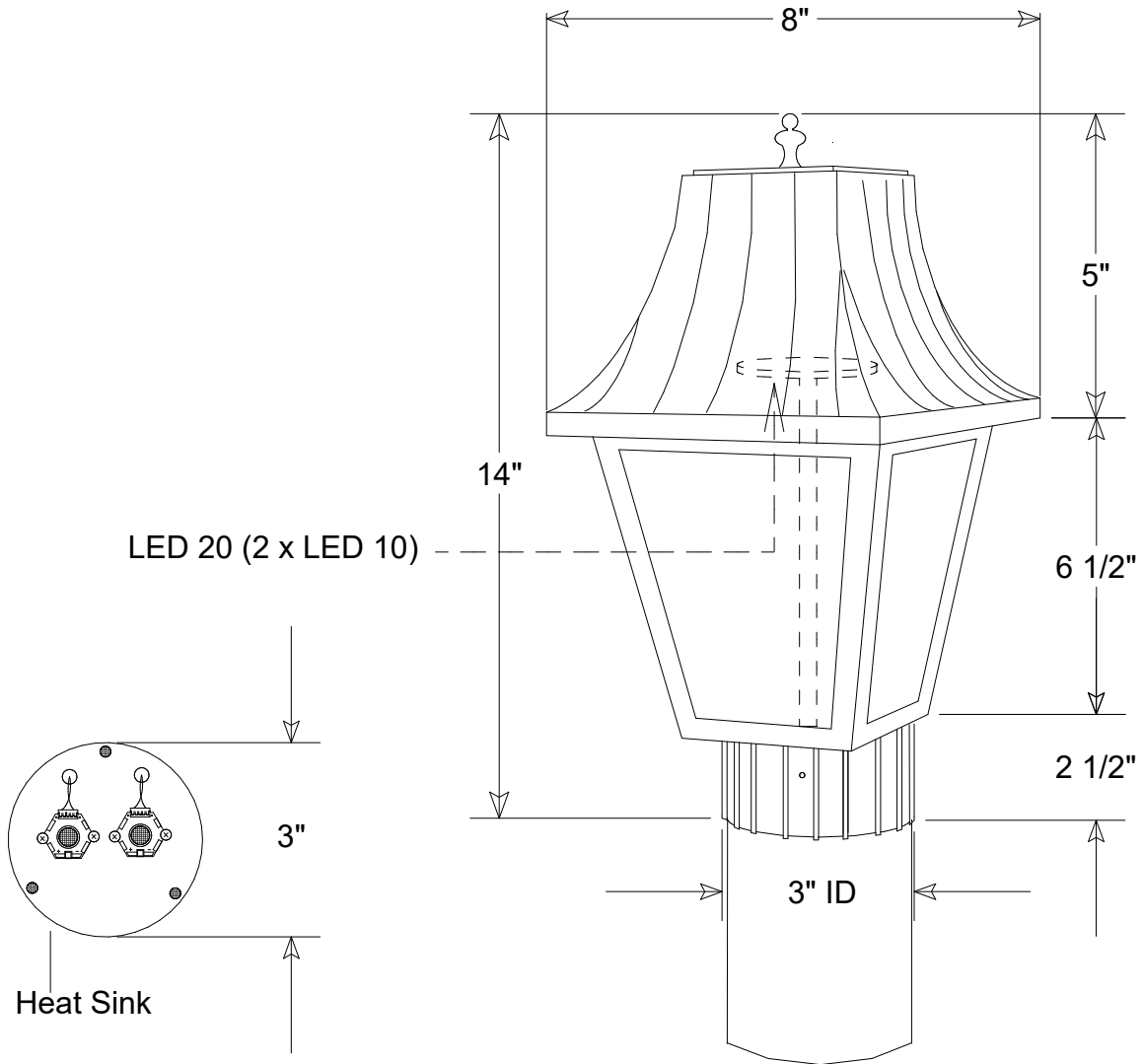




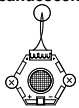
Primelite Manufacturing Corp

407 S Main St, Freeport, NY 11520
 Phone: 516-868-4411 | Fax: 516-868-4609
 sales@primelite-mfg.com | www.primelite-mfg.com

PART # #1332	LAMP Incandescent LED	VOLTAGE 120 V	COLOR Powder Coated Paint
JOB NAME			TYPE Post Light



Lamp: Incandescent | LED



LED 20 (LED 10 X2)

Name Date

Drawn CB 6/19

Checked

ENG Appr.

MFR Appr.

QA

Weight

Post Light #1332 LED 20

14" H | 8" W | Fits 3" Post

Size
A

Drawing No.
0001

Rev
A

Scale

CAD File

Sheet

1 of 1

Revisions				
Zone	Rev	Description	Date	Approved

Construction: Aluminum
 Unless Otherwise Specified:
 Dimensions in Inches